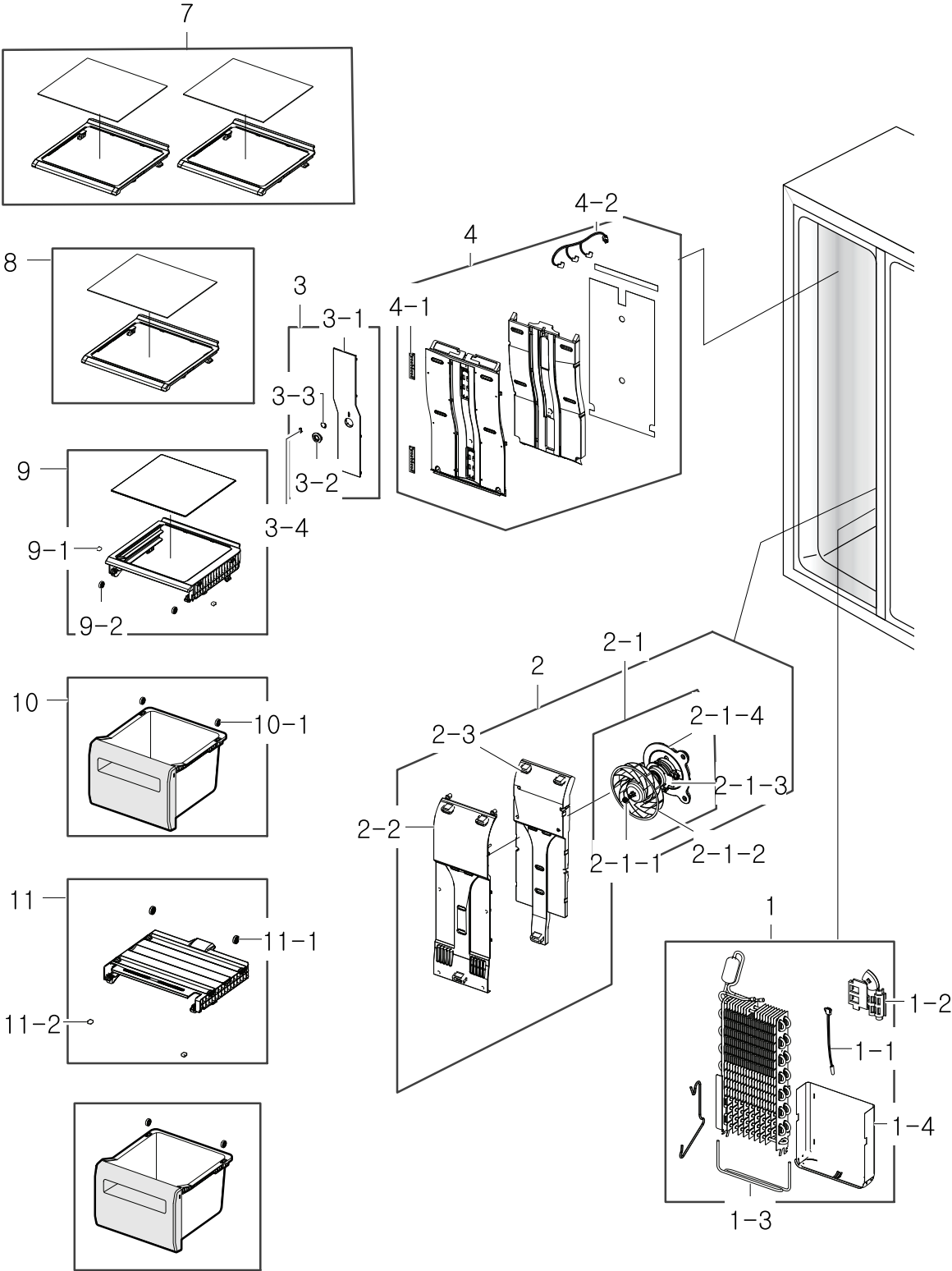


1. Freezer

Exploded View



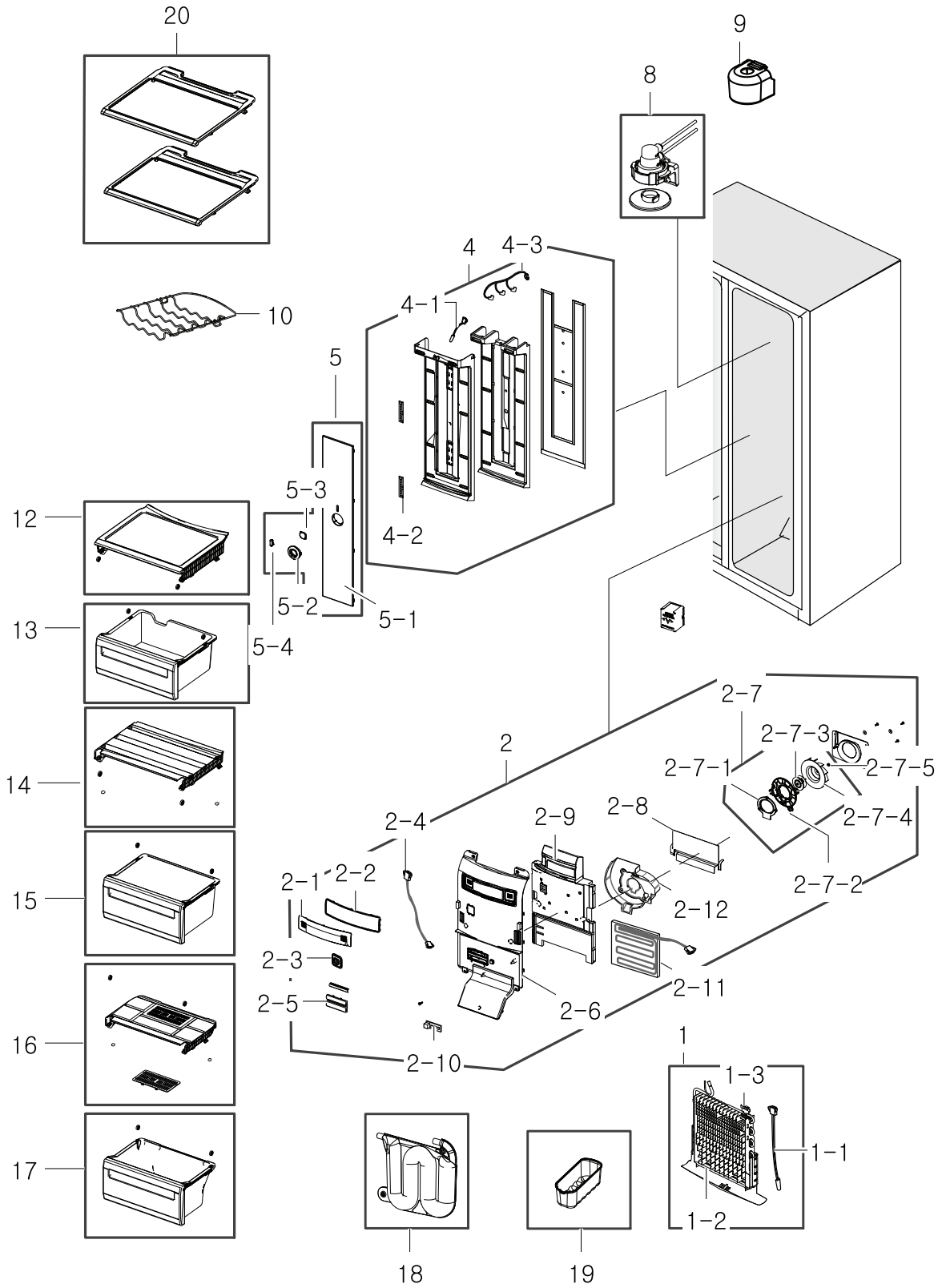
Parts List

No.	Parent	Lvl.	Loc.	Material Code	Description & Specification	SNA	Qty.
1	DA90-05260B	2	RF011	DA96-00672P	ASSY EVAP-FRE; GGH12,FIN-TUBE,230V,218W	SA	1
1-1	DA96-00672P	3	RR336	DA32-00029N	SENSOR TEMP; DTN-C502G6X,NEXT-PJT,40~110	SA	1
1-2	DA96-00673Q	3	RF217	DA61-05160A	FIXER-FUSE; CULLI_09,PP,BJ-730,NTR,-	SA	1
1-3	DA96-00672P	3		DA47-00320K	HEATER-SHEATH-METAL FRE; GGH,INCOLOY840,2	SA	1
1-4	DA96-00672P	3	RF169	DA61-05990B	PLATE-DRAIN EVAP FRE; GUGGENHEIM,GL-SAZCC	SA	1
2	DA90-05262B	2	RF005	DA97-12709A	ASSY COVER EVAP-FRE; GGH ENERGY,PP,COOL W	SA	1
2-1	DA97-12718B	3		DA96-00968A	ASSY MOTOR-FAN; DREP8020RB,DC 12V,1870,HM	SA	1
2-1-1	DA96-00968A	4	RR053	DA61-20128A	SPRING ETC-FAN; STS304,PI8.8,ID7.8,OD9.8,	SA	1
2-1-2	DA96-00968A	4		DA31-00292A	FAN-BACKWARD; OPUS1,ABS,NTR	SA	1
2-1-3	DA96-00968A	4		DA61-08440A	BRACKET-MOTOR SUB; HM12,HIPS,NTR,AIO Q7 M	SA	1
2-1-4	DA96-00968A	4		DA61-08439A	BRACKET-MOTOR; HM12,ABS,NTR,AIO Q7 MOTOR	SA	1
2-2	DA97-12709A	3	RF527	DA63-07040A	COVER EVAP-FRE; GGH-ENERGY,PP,COOL WHITE,	SNA	1
2-3	DA97-12709A	3		DA62-03713A	INSULATION-EVAP FRE A; GUGGENHEIM A++,FOA	SNA	1
3	DA90-05264B	2	RF031	DA97-06100A	ASSY-COVER LAMP FRE; GUGGENHEIM,LED TYPE,	SA	1
3-1	DA97-06100A	3	RF396	DA63-04117A	COVER LAMP-FRE; GUGGENHEIM,PP,T2.0,-,-,-,	SA	1
3-2	DA97-06100A	3	RI372	DA63-04121A	COVER-SENSOR MID A; GUGGENHEIM,ABS,T2.0,-	SA	1
3-3	DA97-06100A	3	RI373	DA63-04122A	COVER-SENSOR MID B; GUGGENHEIM,GPPS,T2.0,	SA	1
3-4	DA97-06100A	3	RI374	DA63-04123A	COVER-SENSOR MID C; GUGGENHEIM,ABS,T2.0,-	SA	1
4	DA90-05262B	2	RF439	DA97-12863A	ASSY COVER-MULTI FRE; GGH-ENERGY,PP,COOL	SA	1
4-1	DA97-12864A	3	RK387	DA41-00519B	PBA-LED LAMP; GUGGENHEIM-PJT,F-ROOM,CEM-1	SA	2
4-2	DA97-12863A	3	RR868	DA96-00424H	ASSY W/HARNESS-LED LAMP; GGH-PJT,B TYPE	SA	1
7	DA90-04451B	2	RF207	DA97-06188D	ASSY SHELF FRE-MID B; GUGGENHEIM-PJT,BEST	SA	2
8	DA90-04451B	2	RF363	DA97-07885D	ASSY SHELF FRE-MID A; GGH09,BEST, DELETE	SA	1

No.	Parent	Lvl.	Loc.	Material Code	Description & Specification	SNA	Qty.
9	DA90-04451B	2	RF087	DA97-06137C	ASSY SHELF-FRE LOW; GUGGENHEIM,HIPS, SOUR	SA	1
9-1	DA97-07839A	3	RI088	DA63-04402A	GROMMET-COVER SUB; GUGGENHEIM,SILICON,-,-	SA	2
9-2	DA97-06441J	3	RR351	DA66-10104C	ROLLER-FRE; GUGGENHEIM,POM,OD22,-,NTR,-,-	SA	2
10	DA90-05264B	2	RF002	DA97-06133H	ASSY CASE-BASKET UP; GGH,PRINTING CENTER	SA	2
10-1	DA97-06441J	3	RR351	DA66-10104C	ROLLER-FRE; GUGGENHEIM,POM,OD22,-,NTR,-,-	SA	2
11	DA90-05264B	2	RI387	DA97-06135A	ASSY COVER-BASKET LOW; GUGGENHEIM,-,-,-,-	SA	1
11-1	DA97-06441J	3	RR351	DA66-10104C	ROLLER-FRE; GUGGENHEIM,POM,OD22,-,NTR,-,-	SA	2
11-2	DA97-07839A	3	RI088	DA63-04402A	GROMMET-COVER SUB; GUGGENHEIM,SILICON,-,-	SA	2

2. Fridge

Exploded View



Parts List

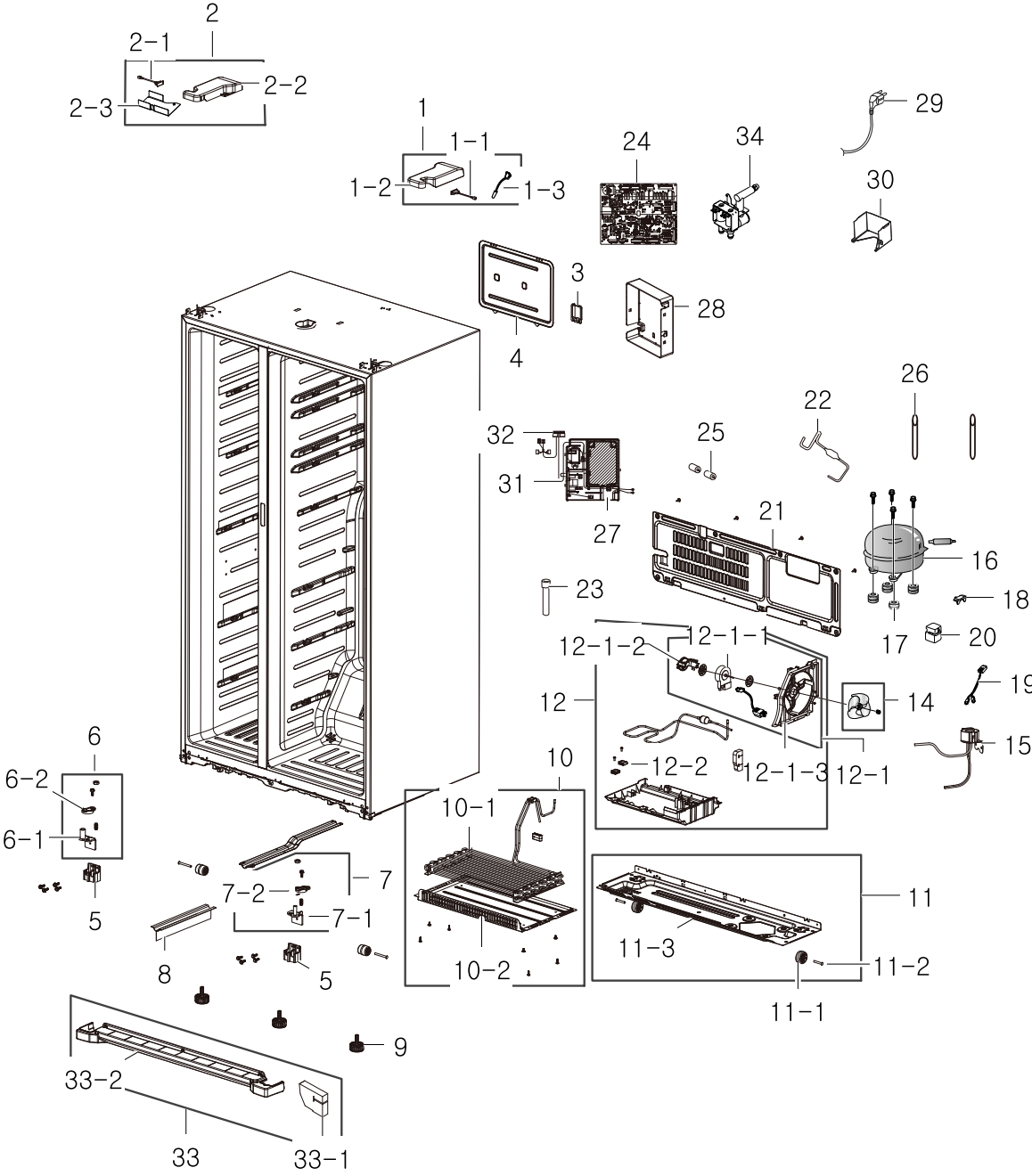
No.	Parent	Lvl.	Loc.	Material Code	Description & Specification	SNA	Qty.
1	DA90-05260B	2	RI016	DA96-00673Q	ASSY EVAP-REF; GUGGENHEIM,FIN PIPE,A1070S	SA	1
1-1	DA96-00672P	3	RR336	DA32-00029N	SENSOR TEMP; DTN-C502G6X,NEXT-PJT,40~110	SA	1
1-2	DA96-00673Q	3		DA47-00321K	HEATER-SHEATH-METAL REF; GGH-PJT,INCOLOY8	SA	1
1-3	DA96-00673Q	3	RK213	DA61-03683A	FIXER-SENSER; AW-PJT,PP,-,NTR,FH-44N	SA	1
2	DA90-05262B	2	RI008	DA97-12718B	ASSY COVER EVAP-REF; GGH ENERGY,BASIC, 22	SA	1
2-1	DA97-12718B	3	RF333	DA63-04129F	COVER-PURIFIER LOW; GGH,PP,2.5,325,EXP,DA	SA	1
2-2	DA97-12718B	3	RG056	DA64-02468A	TRIM-PURIFIER LOW; GUGGENHEIM,ABS,-,-,-,A	SA	1
2-3	DA97-12718B	3	RI609	DA61-04393A	GUIDE AIR-REF; GUGGENHEIM-PJT,HIPS,-,-,-,	SA	1
2-4	DA97-12718B	3	RR865	DA96-00424C	ASSY W/HARNESS-LED LAMP; GUGGENHEIM,W/H L	SA	1
2-5	DA97-12718B	3	RG031	DA63-04128B	COVER-LED REF LOW; GUGGENHEIM,GPPS,NTR	SA	1
2-6	DA97-12718B	3	RG175	DA63-07037A	COVER-EVAP REF; GUGGENHEIM A++,PP,T2.0,CO	SNA	1
2-7	DA97-12718B	3		DA96-00968A	ASSY MOTOR-FAN; DREP8020RB,DC 12V,1870,HM	SA	1
2-7-1	DA96-00968A	4		DA61-08440A	BRACKET-MOTOR SUB; HM12,HIPS,NTR,AIO Q7 M	SA	1
2-7-2	DA96-00968A	4		DA61-08439A	BRACKET-MOTOR; HM12,ABS,NTR,AIO Q7 MOTOR	SA	1
2-7-3	DA96-00968A	4		DA31-00305B	MOTOR BLDC; DREP8020RB,1870+-4%,DC 12V,0.	SA	1
2-7-4	DA96-00968A	4		DA31-00292A	FAN-BACKWARD; OPUS1,ABS,NTR	SA	1
2-7-5	DA96-00968A	4	RR053	DA61-20128A	SPRING ETC-FAN; STS304,PI8.8,ID7.8,OD9.8,	SA	1
2-8	DA97-12718B	3	RI529	DA61-04130B	PLATE-EVAP HEATER REF; GUGGENHEIM,AL,T0.4	SNA	1
2-9	DA97-12718B	3	RE288	DA62-03711A	INSULATION-EVAP REF A; GUGGENHEIM A++,FOA	SNA	1
2-10	DA97-12718B	3	RK400	DA41-00377B	PBA-ROOM LAMP; SAPPHIRE,R-ROOM,FR-1,85*15	SA	1
2-11	DA97-12718B	3	RI045	DA47-00283A	HEATER-WATER TANK; GUGGENHEIM-PJT,P-CORD,	SNA	1
2-12	DA97-12718B	3		DA61-08409A	SUPPORT-INS EVAP REF; GUGGENHEIM A++,HIPS	SNA	1
4	DA90-05262B	2	RI019	DA97-12864A	ASSY COVER-MULTI REF; GGH-ENERGY,PP,COOL	SA	1

Exploded Views and Parts List

No.	Parent	Lvl.	Loc.	Material Code	Description & Specification	SNA	Qty.
4-1	DA97-12864A	3	RR339	DA32-10109W	SENSOR TEMP; PX-41C,502AT-2,A-TOP,-,5V,-,	SC	1
4-2	DA97-12864A	3	RK387	DA41-00519B	PBA-LED LAMP; GUGGENHEIM-PJT,F-ROOM,CEM-1	SA	2
4-3	DA97-12864A	3	RR863	DA96-00424A	ASSY W/HARNESS-LED LAMP; geggenheim,W/H L	SA	1
5	DA90-05264B	2	RI391	DA97-06092A	ASSY COVER-LAMP REF; GUGGENHEIM,-,-,-,-,-	SA	1
5-1	DA97-06092A	3	RI371	DA63-04120A	COVER LAMP-LED REF; GUGGENHEIM,PP,T2.0,-,	SA	1
5-2	DA97-06100A	3	RI372	DA63-04121A	COVER-SENSOR MID A; GUGGENHEIM,ABS,T2.0,-	SA	1
5-3	DA97-06100A	3	RI373	DA63-04122A	COVER-SENSOR MID B; GUGGENHEIM,GPPS,T2.0,	SA	1
5-4	DA97-06100A	3	RI374	DA63-04123A	COVER-SENSOR MID C; GUGGENHEIM,ABS,T2.0,-	SA	1
8	DA90-05270D	2	RI006	DA97-06317A	ASSY CASE-FILTER; AW,-,-,-,-,-	SA	1
9	DA90-05270D	2	RI696	DA63-04150B	COVER-FILTER; AW,HIPS,-,96.0,73.6,-,-,COO	SA	1
10	DA90-04451B	2	RI160	DA75-00267A	RACK-WINE; GUGGENHEIM,STS204,OD4.5,455.1,	SA	1
12	DA90-04451B	2	RI039	DA97-06440B	ASSY SHELF-REF LOW; GUGGENHEIM,NON PRINTE	SA	1
13	DA90-05264B	2	RI002	DA97-06441J	ASSY CASE-VEG UP; GGH,PRINTING CENTER	SA	1
14	DA90-05264B	2	RI386	DA97-06136A	ASSY COVER-VEG UP; GUGGENHEIM,-,-,-,-,-	SA	1
15	DA90-05264B	2	RI452	DA97-06132K	ASSY CASE-VEG MID; GGH,PRINTING CENTER	SA	1
16	DA90-05264B	2	RI567	DA97-07839A	ASSY COVER VEG-LOW; GGH09,SAN	SA	1
17	DA90-05264B	2	RI001	DA97-06131J	ASSY CASE-VEG LOW; GGH,PRINTING CENTER	SA	1
18	DA90-05270D	2	RI043	DA97-08536B	ASSY TANK WATER; GGH10,ASSY,NTR	SA	1
19	DA90-05264B	2	RG125	DA97-02806G	ASSY TRAY-EGG; SVETA	SA	1
20	DA97-06205B	3	RI672	DA67-01970B	SHELF REF-TOP; GUGGENHEIM-PJT,PP+GLASS,W4	SNA	2

3. Cabinet

Exploded View



Parts List

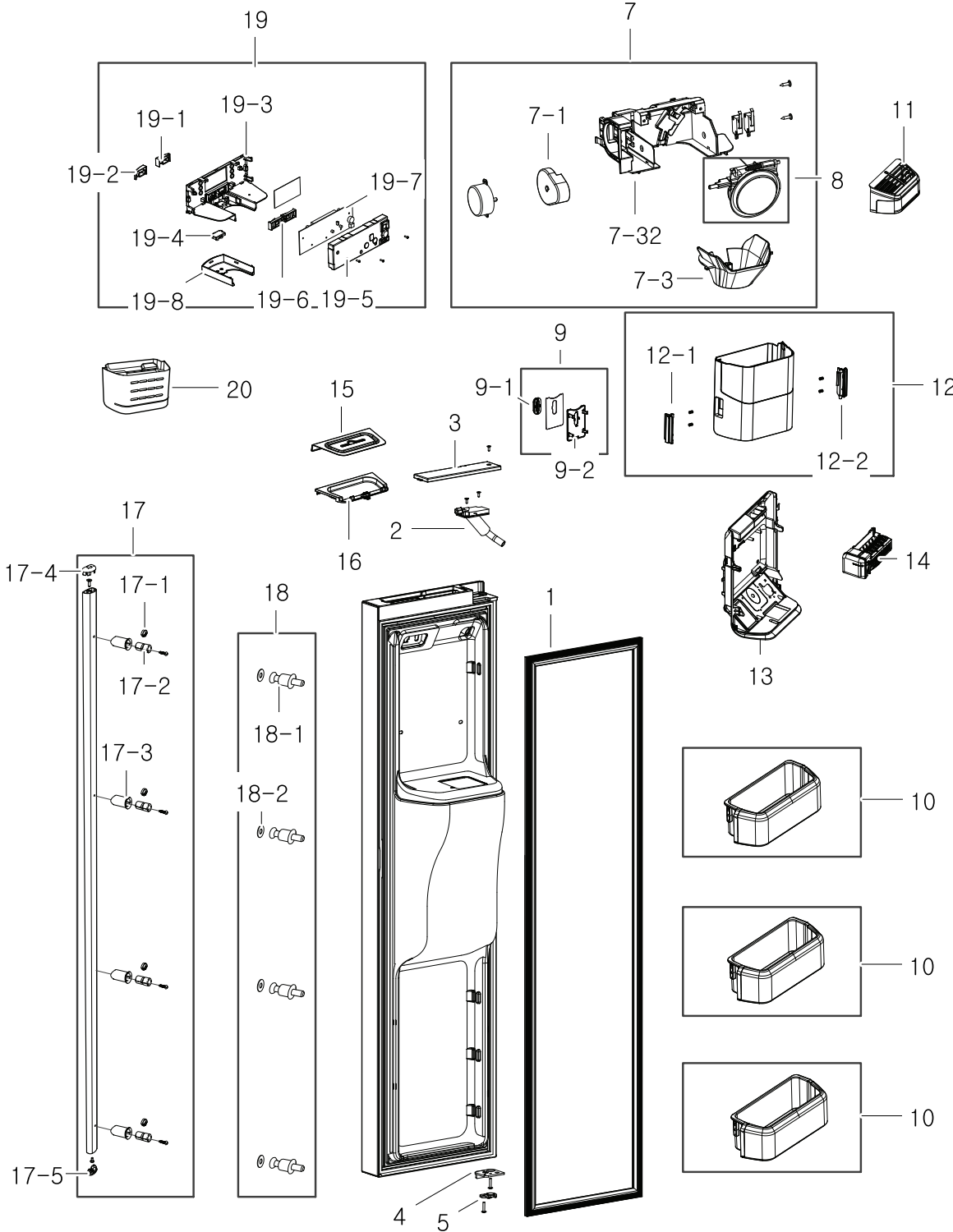
No.	Parent	Lvl.	Loc.	Material Code	Description & Specification	SNA	Qty.
1	DA90-07128E	2	RO045	DA97-06159L	ASSY COVER HINGE-UPP R; HM10,T2.5,W96.1,L	SA	1
1-1	DA97-11095D	3	RY459	DA34-00043C	SWITCH REED-ASS'Y; 200VDC,1.5A,-	SA	1
1-2	DA97-06159L	3	RO455	DA63-04180C	COVER HINGE-UPP R; GUGGENHEIM(EXP),N-ABS,	SA	1
1-3	DA97-06159L	3	RO302	DA32-00034B	SENSOR HUMIDITY; SHT20P,POLARIS,5V,1mA,0	SA	1
2	DA90-07128E	2	RO044	DA97-06160C	ASSY COVER HINGE-UPP L; GUGGENHEIM(EXP),-	SA	1
2-1	DA97-11095D	3	RY459	DA34-00043C	SWITCH REED-ASS'Y; 200VDC,1.5A,-	SA	1
2-2	DA97-06160C	3	RK129	DA63-04181C	COVER HINGE-UPP L; GUGGENHEIM(EXP),N-ABS,	SA	1
2-3	DA97-06160C	3	RO250	DA61-04527A	PLATE-COVER HINGE; GGH-PJT,SBHG1,T0.4,91.	SA	1
3	DA90-05270D	2	RM030	DA63-00586B	COVER-TUBE FILTER; A-TOP,PP,-,W76,L83,-,-	SA	1
4	DA90-07128E	2	RO461	DA97-06120T	ASSY COVER-PCB PANEL MAIN; GUGGENHEIM,SBH	SA	1
5	DA90-05253J	2	RO500	DA61-04215A	BRACKET HINGE-LOW; GUGGENHEIM,AL,-,-,-,-,-	SA	2
6	DA90-07128E	2	RO037	DA97-06158B	ASSY HINGE LOW-L; GUGGENHEIM,BLK	SA	1
6-1	DA97-06158B	3	RO434	DA61-04191A	HINGE-LOW L; GUGGENHEIM,SHP1,T4.5,-,-,-,-	SA	1
6-2	DA97-06158B	3	RD200	DA66-00560B	CAM HINGE-RISER LOW L; GUGGENHEIM,NY-66,B	SA	1
7	DA90-07128E	2	RO038	DA97-06157B	ASSY HINGE LOW-R; GUGGENHEIM,BLK	SA	1
7-1	DA97-06157B	3	RO436	DA61-04190A	HINGE-LOW R; GUGGENHEIM,SHP1,T4.5,-,-,-,-	SA	1
7-2	DA97-06157B	3	RD201	DA66-00559A	CAM HINGE-RISER LOW R; GUGGENHEIM,NY-66,-	SA	1
8	DA97-06115N	3	RM102	DA64-02605A	TRIM-BLADE; GUGGENHEIM,PVC,-,-,-,WHITE+GR	SA	1
9	DA97-06115N	3	RO100	DA61-00805F	FOOT-FRONT; REF-ALL,PP+MSWR10,BLACK,PP_S	SA	2
10	DA90-05253J	2	RH701	DA97-06123D	ASSY-CONDENSER; GUGGENHEIM,SWST,ID3.76,OD	SA	1
10-1	DA97-06123D	3	RC702	DA97-06122B	ASSY-FIN CONDENSER; GUGGENHEIM,SWST,ID3.7	SA	1
10-2	DA97-06123D	3	RC022	DA97-06508F	ASSY COVER-CONDENSER; GUGGENHEIM,SBHG1,FO	SA	1
11	DA90-05260B	2	RO002	DA97-06121B	ASSY CHASSIS-COMP; GUGGENHEIM,SBHG1,T1.2,	SA	1

Exploded Views and Parts List

No.	Parent	Lvl.	Loc.	Material Code	Description & Specification	SNA	Qty.
28	DA90-07128E	2	RH060	DA97-06839A	ASSY COVER-PCB PANEL INV; GUGGENHEIM,N-AB	SA	1
29	DA90-07410W	2	RK076	DA39-10115D	CBF-POWER CORD; UCP-2,250V,10/16A,L2100,-	SA	1
30	DA90-05260B	2	RG097	DA63-05566A	COVER-HOUSING; GGH-KENMORE,GI-SGCC,T0.5	SA	1
31	DA90-05260B	2	RH069	DA27-00041A	COIL FILTER; SSLF-203AF,2.6mH,60*82mm,BOX	SA	1
32	DA90-05260B	2	RH057	DA96-00443K	ASSY W/HARNES-INVERTER BOX; GGH-PJT, ENE	SA	1
33	DA90-07128E	2	RO003	DA97-06756F	ASSY COVER LEG FRONT; GUGGENHEIM,-,T2.5,W	SA	1
33-1	DA97-06756F	3	RO239	DA62-01971B	SEAL-COVER LEG FRONT; GUGGENHEIM,FOAM-PE,	SNA	1
33-2	DA97-06756F	3	RO287	DA63-04467A	COVER-LEG FRONT; GUGGENHEIM,PP,T2.5,W98,L	SA	1
34	DA90-05270D	2	RM063	DA62-02439D	VALVE WATER-2WAY; GGH-PJT,POM,1.0~8.0K,NO	SA	1

4. Freezer door

Exploded View



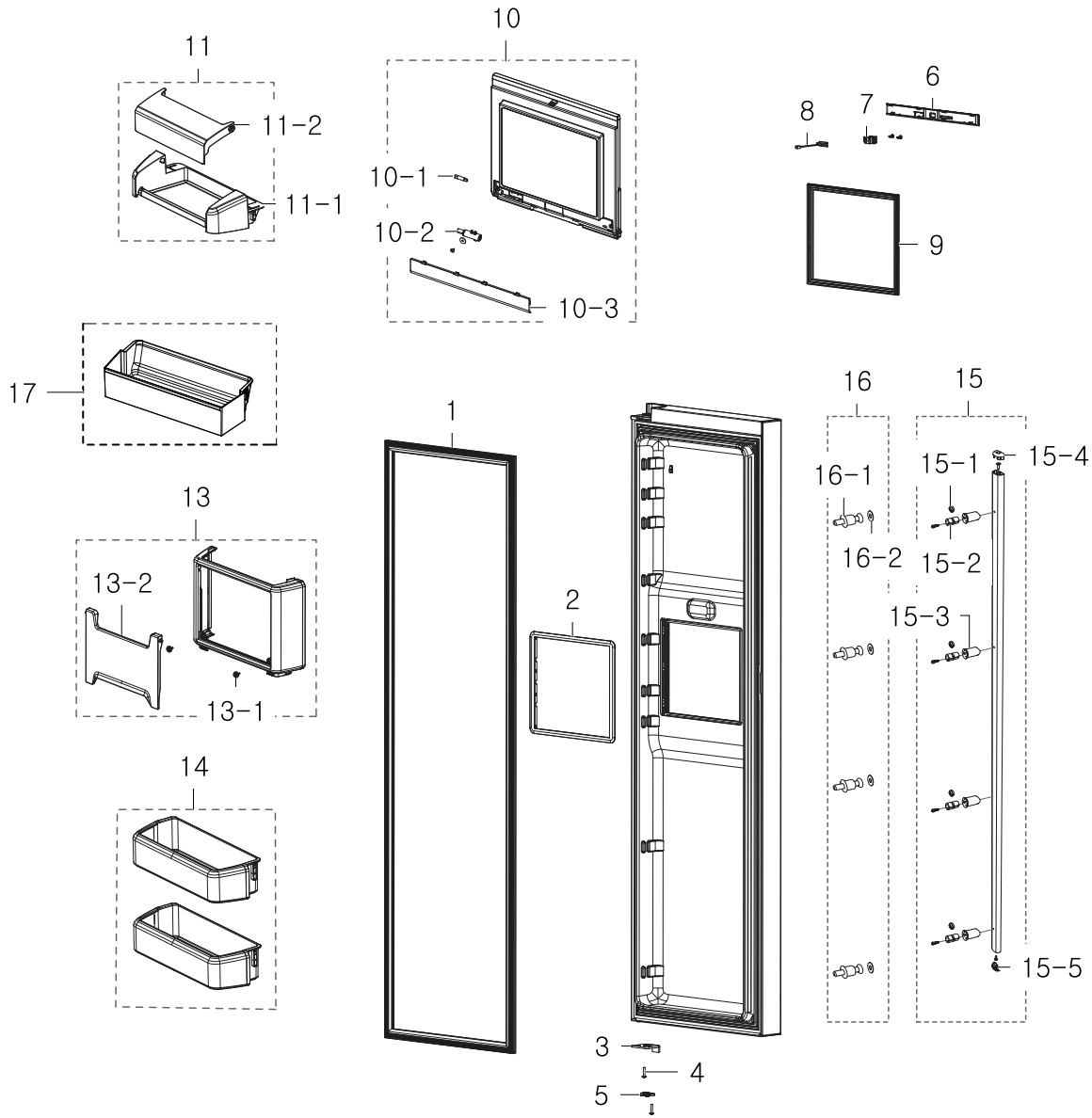
Parts List

No.	Parent	Lvl.	Loc.	Material Code	Description & Specification	SNA	Qty.
1	DA90-05256H	2	RR894	DA97-04568N	ASSY-GASKET DOOR FRE; GUGGENHEIM,SC-9748	SA	1
2	DA97-11951P	5	RO131	DA97-06542A	ASSY PIPE-WATER ICE; GUGGENHEIM(EXP),230V	SA	1
3	DA97-11951P	5	RO231	DA63-04341A	COVER-CAP DOOR FRE; GUGGENHEIM,ABS,-,W61.	SA	1
4	DA97-06533A	5	RD070	DA61-04195A	STOPPER-DOOR L; GUGGENHEIM,SHP1,T3.0,-,-,	SA	1
5	DA97-06533A	5	RD202	DA66-00558B	CAM HINGE-RISER UPP L; POLARIS,NY-66,BLAC	SA	1
7	DA90-05256H	2	RE092	DA97-06473E	ASSY CASE-ICE ROUTE; GGH,AC220/240	SA	1
7-1	DA97-06473E	3	RD199	DA66-00309A	CAM-GEAR MOTOR; QUEEN,POM,-,-,NTR,-,-,-,-	SA	1
7-3	DA97-06473E	3	RD062	DA61-04377A	GUIDE-ICE DISPENSER; GUGGENHEIM,ABS,-,W12	SA	1
7-32	DA97-06473E	3	RE130	DA61-04373A	CASE-ICE ROUTE; GUGGENHEIM,ABS,-,W170.5,L	SA	1
8	DA97-06473E	3	RD068	DA97-00883E	ASSY COVER-ICE ROUTE; QUEEN-PJT,-,-,-,-,-	SA	1
9	DA90-05256H	2	RI382	DA97-06479H	ASSY COVER-MICRO SWITCH; GUGGENHEIM,W86,L	SA	1
9-1	DA97-06479H	3	RQ615	DA66-00600C	LEVER-PUSH; GUGGENHEIM,SILICON,T0.5,W31.3	SA	1
9-2	DA97-06479H	3	RG172	DA63-04366C	COVER-MICRO SWITCH; GUGGENHEIM,ABS,W86,L1	SA	1
10	DA90-05466B	2		DA97-12832A	ASSY GUARD-FRE MID; GUGGENHEIM ENERGY,GPP	SA	3
11	DA90-05270D	2	RM003	DA97-06568C	ASSY COVER-ICE MAKER; GUGGENHEIM(EXP),COO	SA	1
12	DA90-05270D	2		DA97-06569P	ASSY CASE-ICE BUCKET; GGH,BLADE(2-WAY),IN	SA	1
12-1	DA97-06569P	3	RM051	DA66-00587A	LEVER-BUCKET L; GUGGENHEIM,ABS,29.8,76.7,	SC	1
12-2	DA97-06569P	3	RM052	DA66-00588A	LEVER-BUCKET R; GUGGENHEIM,ABS,29.8,76.7,	SA	1
13	DA90-05270D	2	RF416	DA97-11095D	ASSY CASE-AUGER MOTOR; GGH,230V 50Hz	SA	1
14	RS6178UGDSR/EF	1	RM061	DA90-05270D	ASSY ICE MAKER; GGH A++,R,INDOOR	SNA	1
15	DA97-06768A	3	RO489	DA63-04369A	TRAY DISPENSER; GUGGENHEIM,STS304,T0.6,W2	SA	1
16	DA90-05256H	2	RO486	DA61-04386D	CASE-TRAY DISPENSER; GUGGENHEIM,ABS,-,W23	SA	1
17	DA90-05256H	2	RO140	DA97-06632L	ASSY HANDLE-BAR; GUGGENHEIM,AL,T1.5,REAL	SA	1

No.	Parent	Lvl.	Loc.	Material Code	Description & Specification	SNA	Qty.
17-1	DA97-06632L	3	RO587	DA61-03636A	STOPPER-HANDLE; CULLINAN,SK5,-,-,-,-,-	SA	4
17-2	DA97-06632L	3	RO485	DA61-03726A	SUPPORT-HANDLE; HERMES,NY66,-,-,-,NTR,-	SA	4
17-3	DA97-06632L	3	RO527	DA67-01673G	CAP-SUPT HANDLE; JM,ABS,-,-,-,MANHATTAN P	SA	4
17-4	DA97-06632L	3	RK011	DA67-02051A	CAP-HANDLE; GUGGENHEIM,ABS,52.0,W31.8,L17	SA	1
17-5	DA97-06632L	3		DA67-02051B	CAP-HANDLE; GGH,ABS,VICTORY GRAY	SA	1
18	DA90-05256H	2	RO170	DA97-05529C	ASSY-BRACKET HANDLE; HREMES-PJT,SWCH10A,-	SA	4
18-1	DA97-05529C	3	RO171	DA61-03725B	BRACKET-HANDLE; HERMES,SWCH10A,-,-,L31,-	SA	4
18-2	DA97-05529C	3	RJ720	DA63-03840A	GROMMET-HANDLE; HERMES,SILICON,T1,-,-,-,-	SA	4
19	DA90-05256H	2	RD026	DA97-11879J	ASSY COVER-DISPENSER; GGH12,REAL STS,0.5,	SA	1
19-1	DA97-11879J	3	RE159	DA64-02566A	BUTTON-ICE DISPENSER; AW2,ABS,42.6*23.0,-	SA	1
19-2	DA97-11879J	3	RE158	DA64-02567A	BUTTON-WATER DISPENSER; AW2,ABS,42.6*23.0	SA	1
19-3	DA97-11879J	3	RR163	DA63-04367C	COVER-DISPENSER; GUGGENHEIM,ABS,W235.1,L8	SA	1
19-4	DA97-11879J	3	RI147	DA97-02847A	ASSY-LAMP DOOR; EPEL,LED TYPE,-,-	SA	1
19-5	DA97-11879J	3	RO464	DA63-04361B	COVER-PCB PANEL REAR; GGH,HIPS,NTR	SA	1
19-6	DA97-11879J	3	RE160	DA63-04482A	GROMMET-BUTTON CONTROL; GUGGENHEIM,SILICO	SNA	1
19-7	DA97-11879J	3		DA92-00404A	ASSY PCB KIT LED; 13V,5V,BLUE LED TOUCH*6	SA	1
19-8	DA97-11879J	3	RD198	DA64-02596A	DECORATION-FAUCET; GUGGENHEIM,AL,W87.1,L1	SNA	1
20	DA90-05270D	2	RD351	DA63-05013B	GUARD FRE-UPP; HM10,HIPS,2-STAR	SA	1

5. Fridge door

Exploded View



Parts List

No.	Parent	Lvl.	Loc.	Material Code	Description & Specification	SNA	Qty.
1	DA90-05258E	2	RE016	DA97-04568P	ASSY-GASKET DOOR REF; GUGGENHEIM,SC-9748	SA	1
2	DA90-05258E	2	RE312	DA64-02931A	TRIM-CASE HOME BAR OUT; GUGGENHEIM,ABS,-,	SA	1
3	DA97-06537F	5	RE439	DA61-04196A	STOPPER-DOOR R; GUGGENHEIM,SHP1,T3.0,-,-,	SA	1
4	DA97-06533A	5	RR007	6001-001377	SCREW-MACHINE; TH,+,-,M5,L25,ZPC(WHT),SWR	SA	3

No.	Parent	Lvl.	Loc.	Material Code	Description & Specification	SNA	Qty.
5	DA97-06537F	5	RD203	DA66-00557A	CAM HINGE-RISER UPP R; GUGGENHEIM,NY-66,-	SA	1
6	DA97-10912B	5	RE484	DA63-04400B	COVER-LATCH REF; GUGGENHEIM-PJT,ABS,-,-,-	SA	1
7	DA97-10912B	5	RQ612	DA97-07117B	ASSY-LATCH B; SRT749XWSM,POM,BLK,SPRING	SA	1
8	DA97-10912B	5	RY459	DA34-00043C	SWITCH REED-ASS'Y; 200VDC,1.5A,-	SA	1
9	DA97-10912B	5	RE053	DA63-04480A	GASKET-HOME BAR; GUGGENHEIM-PJT,SF-PVC,-,	SA	1
10	DA90-05258E	2	RT096	DA97-06534K	ASSY HOME BAR-REF; GUGGENHEIM,REAL STS, C	SA	1
10-1	DA97-06534K	3	RO233	DA66-00144C	SHAFT-HINGE HOME BAR; CULLINAN,STS304,-,-,	SA	1
10-2	DA97-06534K	3	RQ032	DA97-06850A	ASSY DAMPER-HOME BAR; GUGGENHEIM,-,-,-,-	SA	1
10-3	DA97-06534K	3	RE485	DA67-01958A	CAP-DAMPER HOME BAR REF; GUGGENHEIM,ABS,-	SA	1
11	DA90-05466B	2	RE028	DA97-12834A	ASSY GUARD-DAIRY; GUGGENHEIM ENERGY,GPPS,	SA	1
11-1	DA97-12834A	3	RE390	DA63-07048A	GUARD-DAIRY; GGH ENERGY A++,GPPS,Transpar	SA	1
11-2	DA97-12834A	3	RE034	DA63-07049A	COVER-DAIRY; GGH ENERGY A++,GPPS,Transpar	SA	1
13	DA90-05466B	2		DA97-12833A	ASSY GUARD-H/B RECESS; GUGGENHEIM ENERGY,	SA	1
13-1	DA97-12833A	3	RE271	DA63-00991A	GROMMET-DOOR RECESS; A-TOP,SILICON,-,-,-,	SA	2
13-2	DA97-12833A	3	RE336	DA63-04203A	COVER-DOOR RECESS REF; GUGGENHEIM,GPPS,-,	SA	1
14	DA90-05466B	2	RI161	DA97-12831A	ASSY GUARD-REF LOW; GUGGENHEIM ENERGY,GPP	SA	2
15	DA90-05256H	2	RO140	DA97-06632L	ASSY HANDLE-BAR; GUGGENHEIM,AL,T1.5,REAL	SA	1
15-1	DA97-06632L	3	RO587	DA61-03636A	STOPPER-HANDLE; CULLINAN,SK5,-,-,-,-,-	SA	4
15-2	DA97-06632L	3	RO485	DA61-03726A	SUPPORT-HANDLE; HERMES,NY66,-,-,-,NTR,-	SA	4
15-3	DA97-06632L	3	RO527	DA67-01673G	CAP-SUPT HANDLE; JM,ABS,-,-,-,MANHATTAN P	SA	4
15-4	DA97-06632L	3	RK011	DA67-02051A	CAP-HANDLE; GUGGENHEIM,ABS,52.0,W31.8,L17	SA	1
15-5	DA97-06632L	3		DA67-02051B	CAP-HANDLE; GGH,ABS,VICTORY GRAY	SA	1
16	DA90-05256H	2	RO170	DA97-05529C	ASSY-BRACKET HANDLE; HERMES-PJT,SWCH10A,-	SA	4
16-1	DA97-05529C	3	RO171	DA61-03725B	BRACKET-HANDLE; HERMES,SWCH10A,-,-,L31,-,	SA	4

Exploded Views and Parts List

No.	Parent	Lvl.	Loc.	Material Code	Description & Specification	SNA	Qty.
16-2	DA97-05529C	3	RJ720	DA63-03840A	GROMMET-HANDLE; HERMES,SILICON,T1,-,-,-,-	SA	4
17	DA90-05466B	2		DA97-12826A	ASSY GUARD-REF HOMEBAR UPP; GUGGENHEIM EN	SA	1