



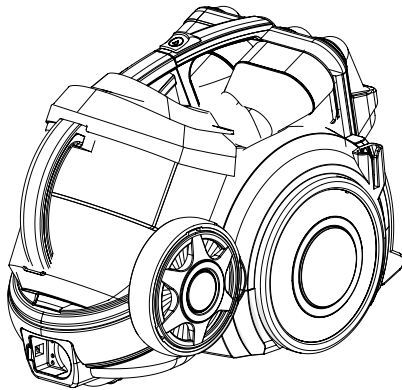
Website <http://biz.lgservice.com>

VACUUM CLEANER **SERVICE MANUAL**

MODEL : VK8710H, VKC902HT
VC9072R, V-KC9700HT

CAUTION

BEFORE SERVICING THE UNIT, READ THE
"SAFETY PRECAUTIONS" IN THIS MANUAL.



P/NO : MFL37414502

April, 2007
Printed in Korea

CONTENTS

SAFETY PRECAUTIONS.....	3
CAUTIONS	3
DESCRIPTION.....	4
SPECIFICATIONS	4
DISASSEMBLY	5~6
TROUBLE SHOOTING GUIDE.....	7~9
SCHEMATIC DIAGRAM.....	10
CIRCUIT DIAGRAM.....	11
EXPLODED VIEW	12~15
REPLACEMENT PARTS LIST.....	16~27

SAFETY PRECAUTIONS

BEFORE OPERATING THIS VACUUM CLEANER, READ THIS SERVICE MANUAL THOROUGHLY, AND OBSERVE EACH POINT CAREFULLY.

1. Motor filter(Air Cleaner)

- 1) This filter is reusable.
- 2) Never use the vacuum cleaner without filter. It may damage the motor.
- 3) When the light of grip handle is on, wash the motor filter with water.
- 4) Even if the light is not on, wash the motor filter at least once 6 months.

NOTE : Reusing of the motor filter.

- Never wash the filter in a washing machine or in a dishwasher.
- Never use hot water for washing the filter.
- Reuse the filter after drying it completely in the shade for a day.
- Do not dry near fire or direct sunray.

2. Exhaust filter(Washable HEPA filter)

- 1) This filter is reusable HEPA filter.
- 2) For clean air, this filter must be assembled.
- 3) Wash the exhaust filter with water once a year.
- 4) When the light of grip handle is on, wash the exhaust filter with water.

NOTE : Reusing of the exhaust filter.

- Never wash the filter in a washing machine or in a dishwasher.
- Never use hot water for washing the filter.
- Reuse the filter after drying it completely in the shade for a half day.
- Do not dry near fire or direct sunray.
- Do not brush the filter. This will cause permanent damage allowing dust to pass the filter.

3. Avoid suction such materials as :

- 1) Liquid or wet dust :
Clogs the ventilation holes, reduces the suction power significantly and harms the motor.
- 2) Inflammable liquids such as benzene, alcohol or solvents.
- 3) Burning objects such as cigarette butts.
- 4) Bulky objects such as vinyl, paper etc.
- 5) Sharp objects such as needles, pins, metal, glass particles etc.

4. Attachments

- Nozzle : for cleaning wooden floor, the room floor and carpet.
- Crevice Tool : for cleaning any crevice, inside corners or window frames. However, do not use the crevice tool more than 20 minutes because it may cause harm to the motor.
- Dusting brush : for cleaning clothes curtains.

5. Close supervision is necessary when this vacuum cleaner is used by or near children. Children's carelessness may cause damage to the cleaner or injure persons.

6. Air exhausted from the vacuum cleaner is normally warm. But if extraordinarily hot air is exhausted, check if the telescopic tube, hose or clean filter is clogged or not.

7. Electric shock could occur if used outdoors or on wet surfaces.

CAUTIONS

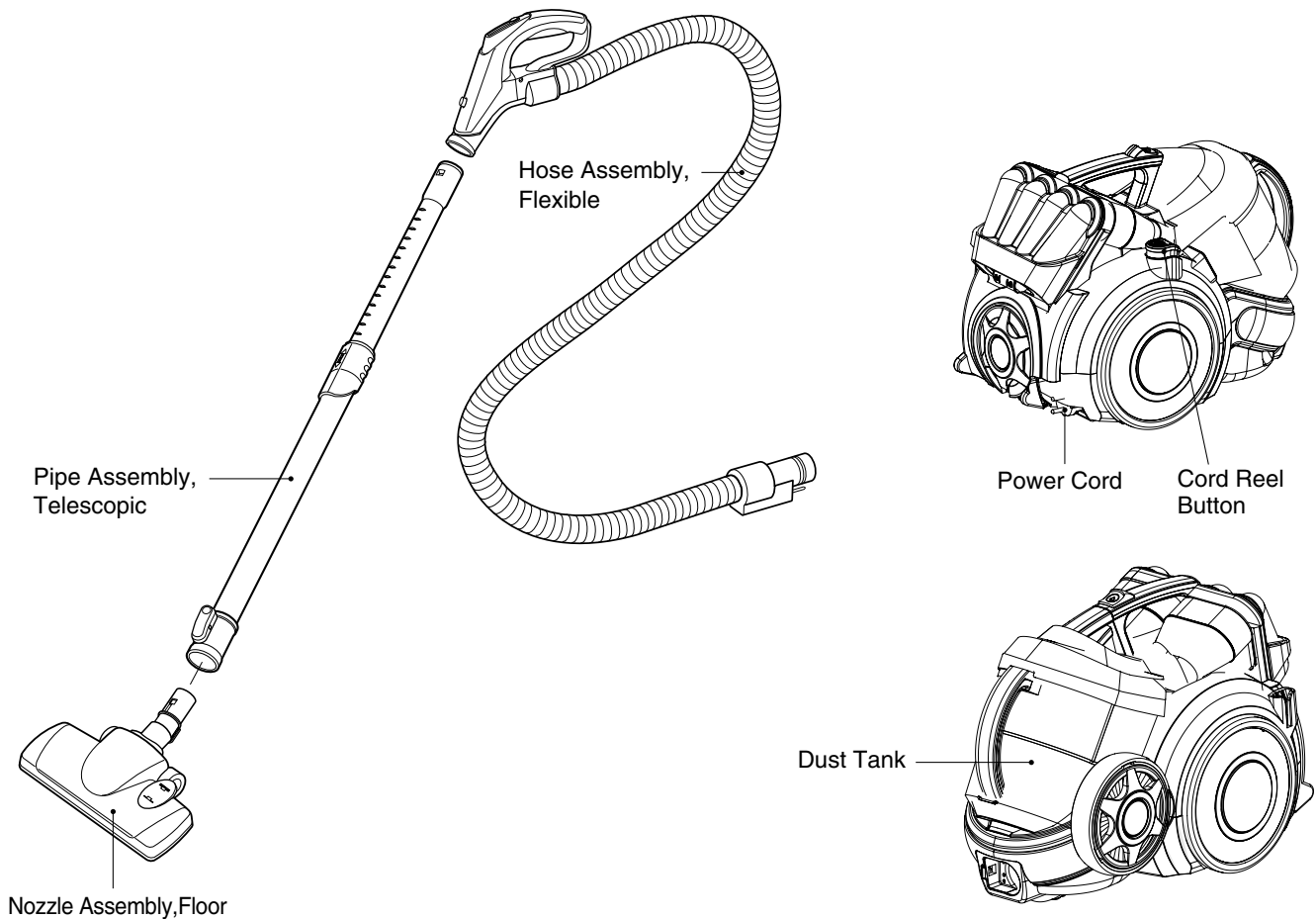
BEFORE ATTEMPTING TO SERVICE OR ADJUST ANY PART OF THE VACUUM CLEANER, DISCONNECT THE ELECTRICAL POWER SUPPLY CORD FROM THE WALL OUTLET.

1. Motor exchange

- 1) Separate the Body Cover and Body Base by unfastening the screws.
- 2) After disconnecting the lead wires, replace the old motor with a new one.

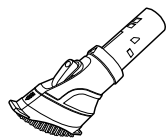
2. In case of exchanging other parts. refer to the exploded view.

DESCRIPTION

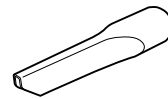


CANISTER

ATTACHMENTS



BRUSH ASSEMBLY, DUST



NOZZLE, CREVICE

SPECIFICATIONS

- **MODEL** : REFER TO THE COVER PAGE
- **POWER SOURCE** : ON RATING PLATE
- **POWER CONSUMPTION** : ON RATING PLATE
- **POWER CONTROL** :
 - MAIN : SLIDE KNOB CONTROL (F/HOSE)
- **CORD LENGTH** : 9m
- **HOSE LENGTH** : 1.8 m
- **NET WEIGHT** : 6.4 kg
- **PACKING WEIGHT** : 10.5 kg
- **NET DIMENSION** : 452 × 294 × 330 (D × W × H)

- **PACKING DIMENSION** : 605 × 330 × 380 (D × W × H)
- **ATTACHMENTS**
 - HOSE ASSEMBLY, FLEXIBLE.....1EA
 - PIPE ASSEMBLY, TELESCOPIC1EA
 - NOZZLE ASSEMBLY, FLOOR.....1EA
 - BRUSH ASSEMBLY, DUST1EA
 - NOZZLE, CREVICE.....1EA

• This specifications are subject to change according to the buyer's request.

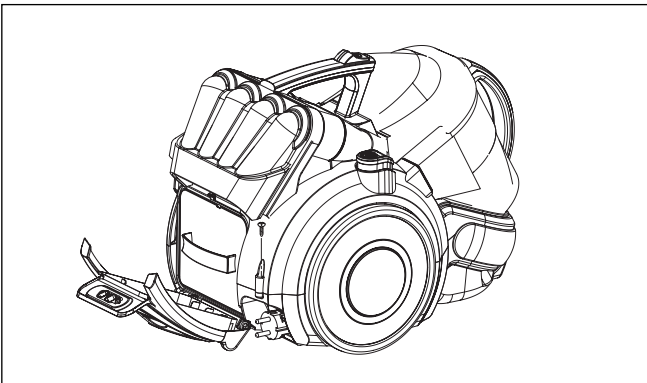
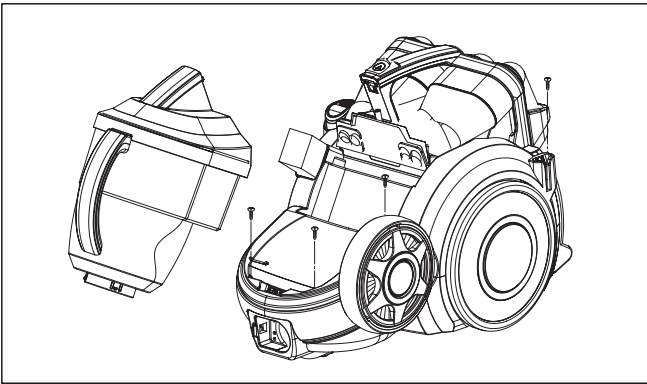
DISASSEMBLY

NOTE : Before attempting to service or adjust any part of the vacuum cleaner, disconnect the electrical power supply cord from the wall outlet.

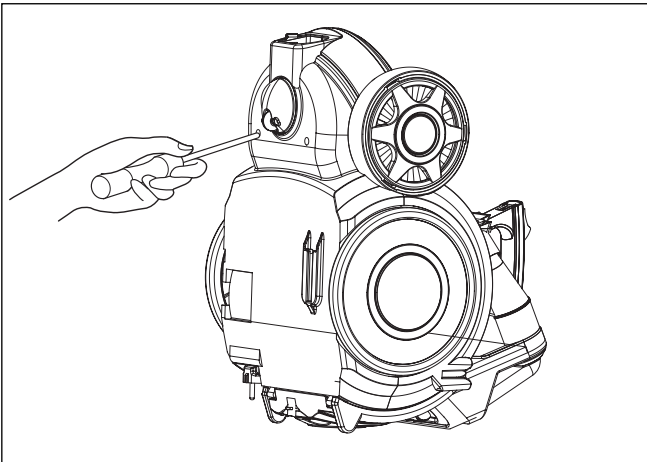
- Almost all of the parts of this vacuum cleaner can be disassembled with a screw driver and each connecting component easily fits each other. Disassemble one by one referring to the exploded view.
- If possible, don't disassemble except for the necessary parts. It is not necessary to disassemble the parts that are not detailed in the exploded view.

1. Body Cover Assembly Replacement

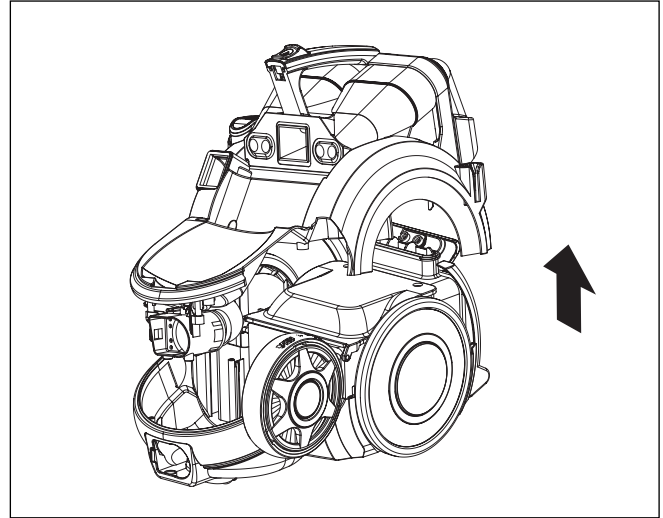
- 1) Remove the dust tank from the set.
Remove the five screws fastening the sub cover.



- 2) Remove the one screws fastening the body base.

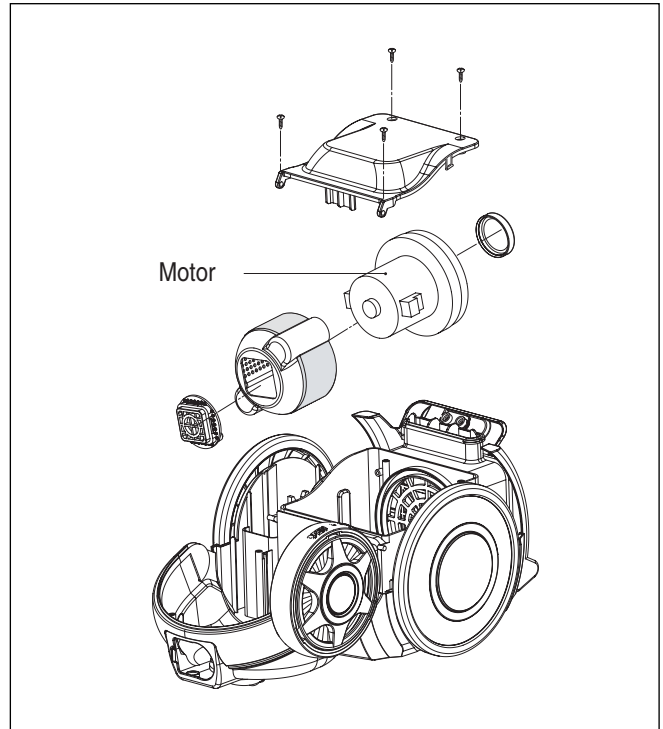


- 3) Disassemble the body cover, raising the body cover.
Pull out the two lead wire housing.



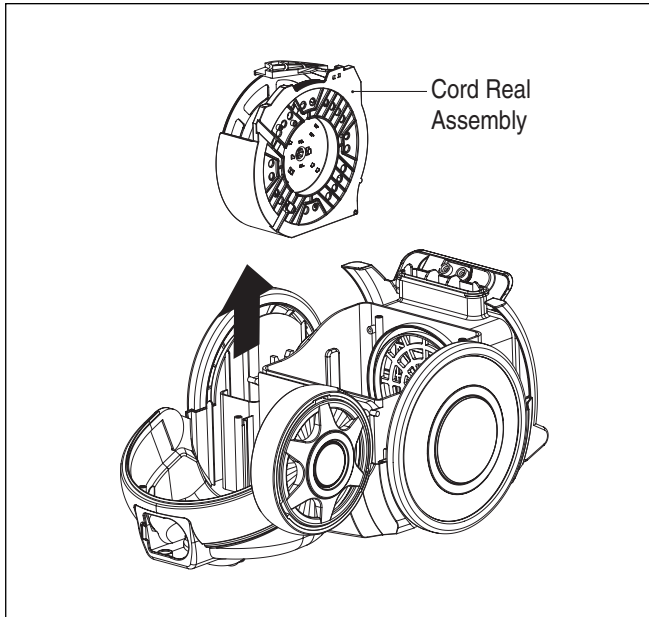
2. Motor Assembly Replacement

- 1) Remove the four screws fastening the motor cover.
- 2) Unlock the two hooks.
- 3) Pull out the motor and disconnect the lead wires from it.



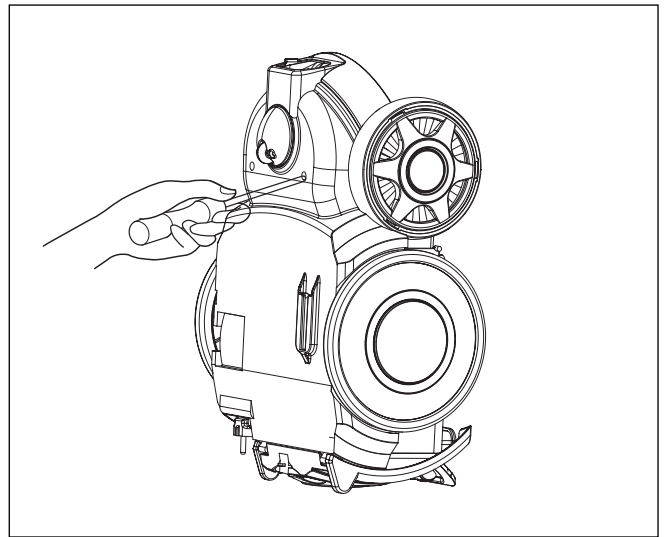
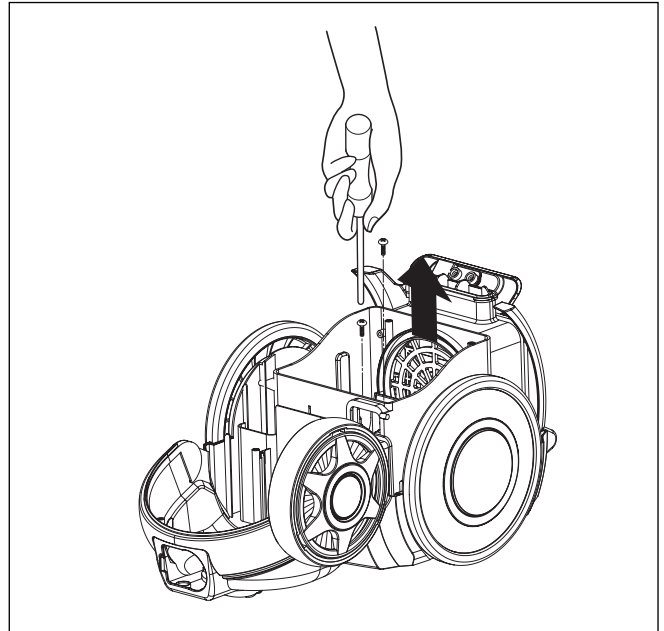
3. Cord Reel Assembly Replacement

- 1) Lift the cord reel assembly from body base.



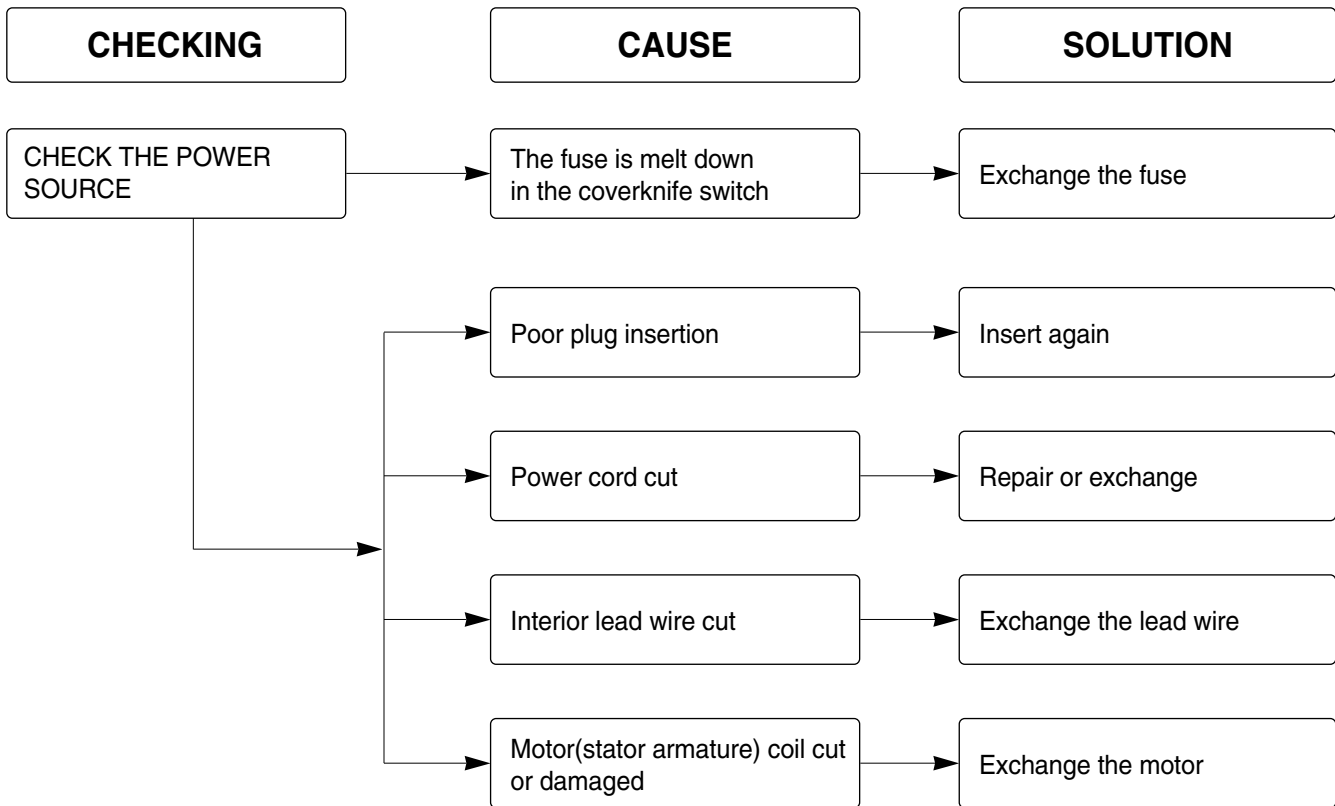
4. Disassembly of Motor Housing.

- 1) Remove the two screws fastening the body base.
- 2) Remove the one screw fastening the body base.

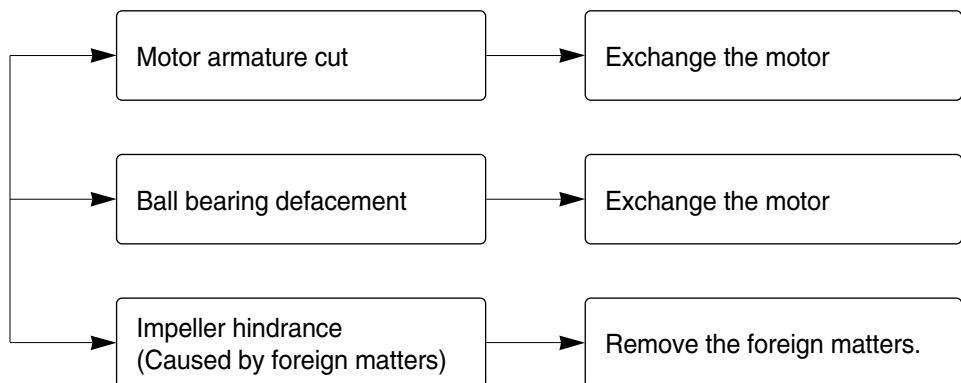


TROUBLE SHOOTING GUIDE

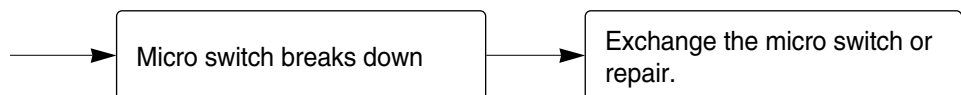
1. SWITCH ON BUT MOTOR DOES NOT TURN.



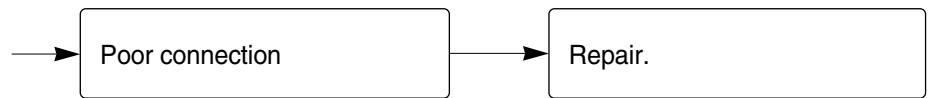
2. SWITCH ON, MOTOR DOES NOT TURN BUT BUZZES.



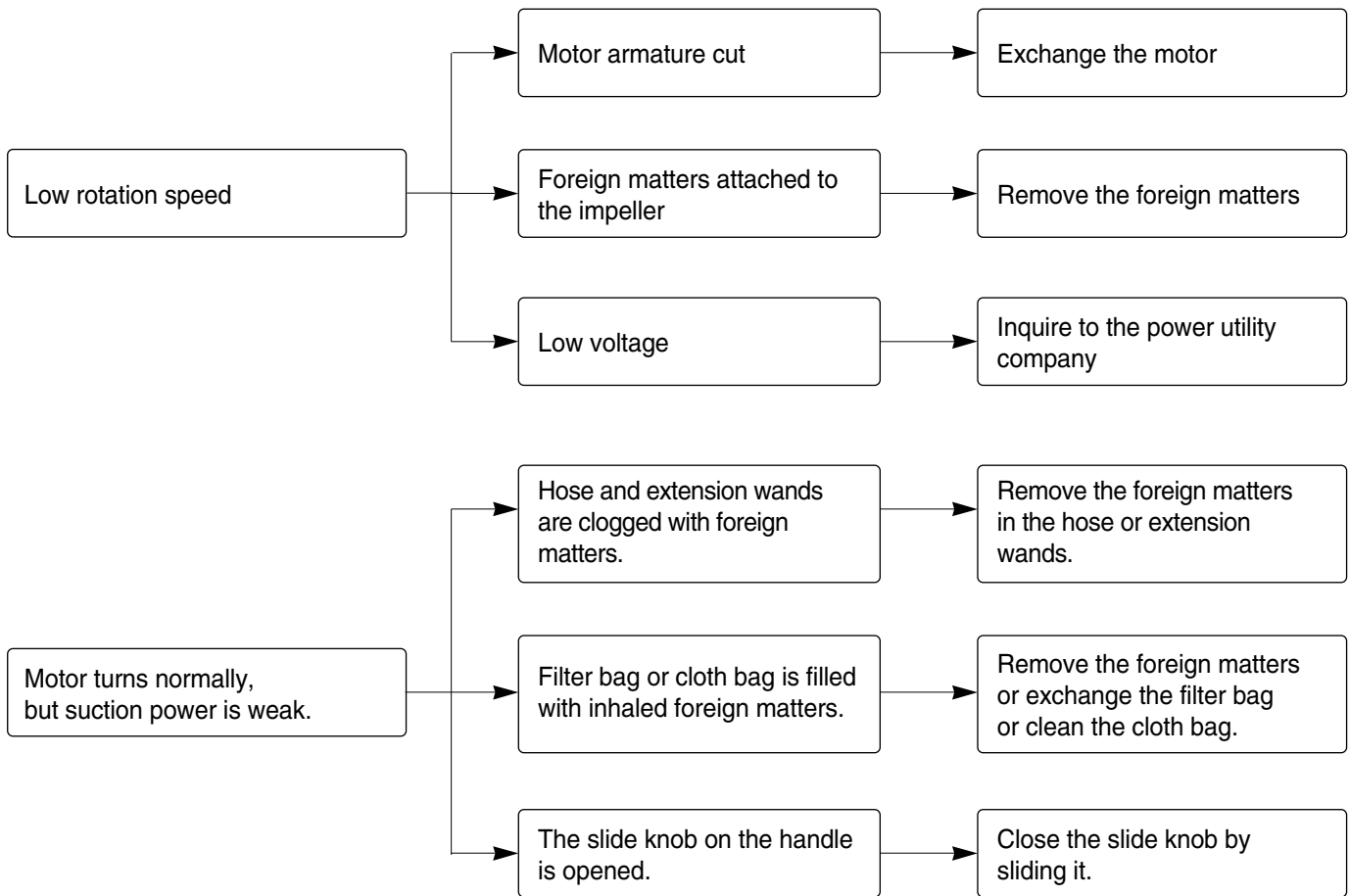
3. SWITCH ON, MOTOR TURNS DOWN WITHIN 2 MINUTES AND BUZZES.



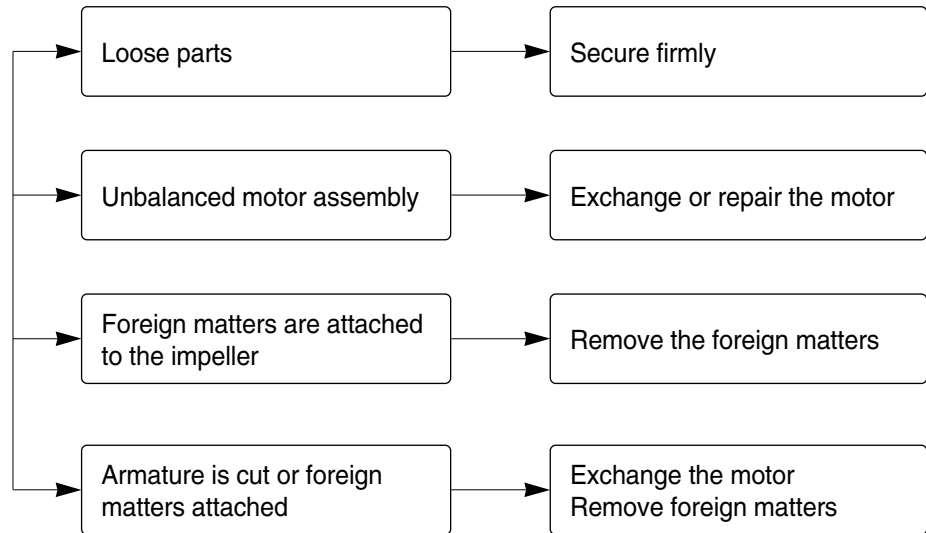
4. SWITCH OFF BUT MOTOR TURNS



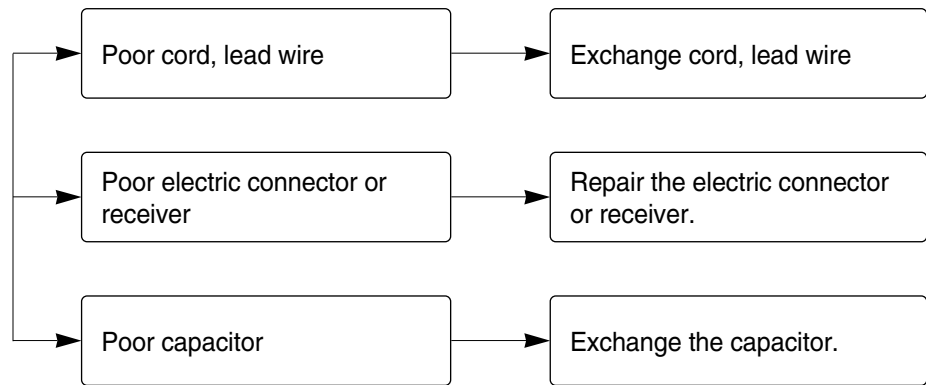
5. WEAK SUCTION POWER



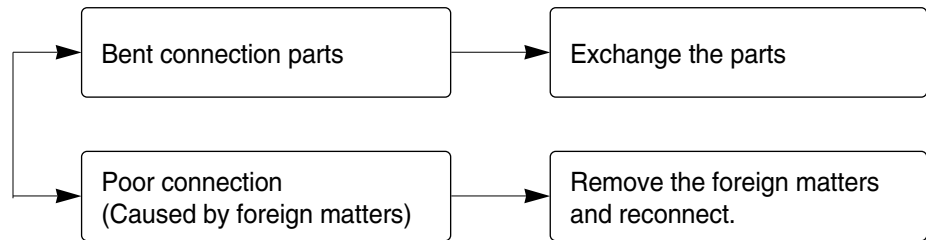
6. VIBRATION NOISES



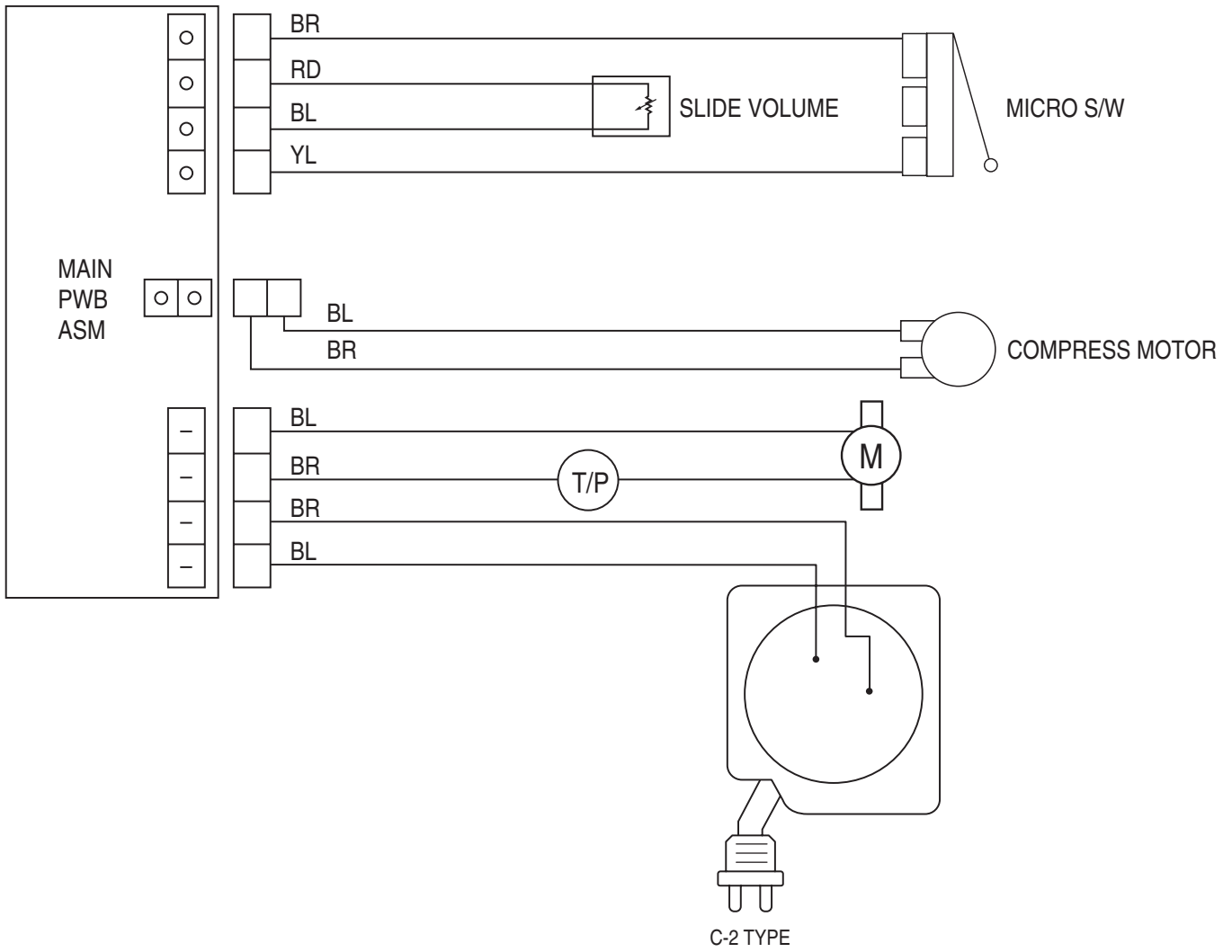
7. RADIO, TV RECEPTION DISTURBANCE



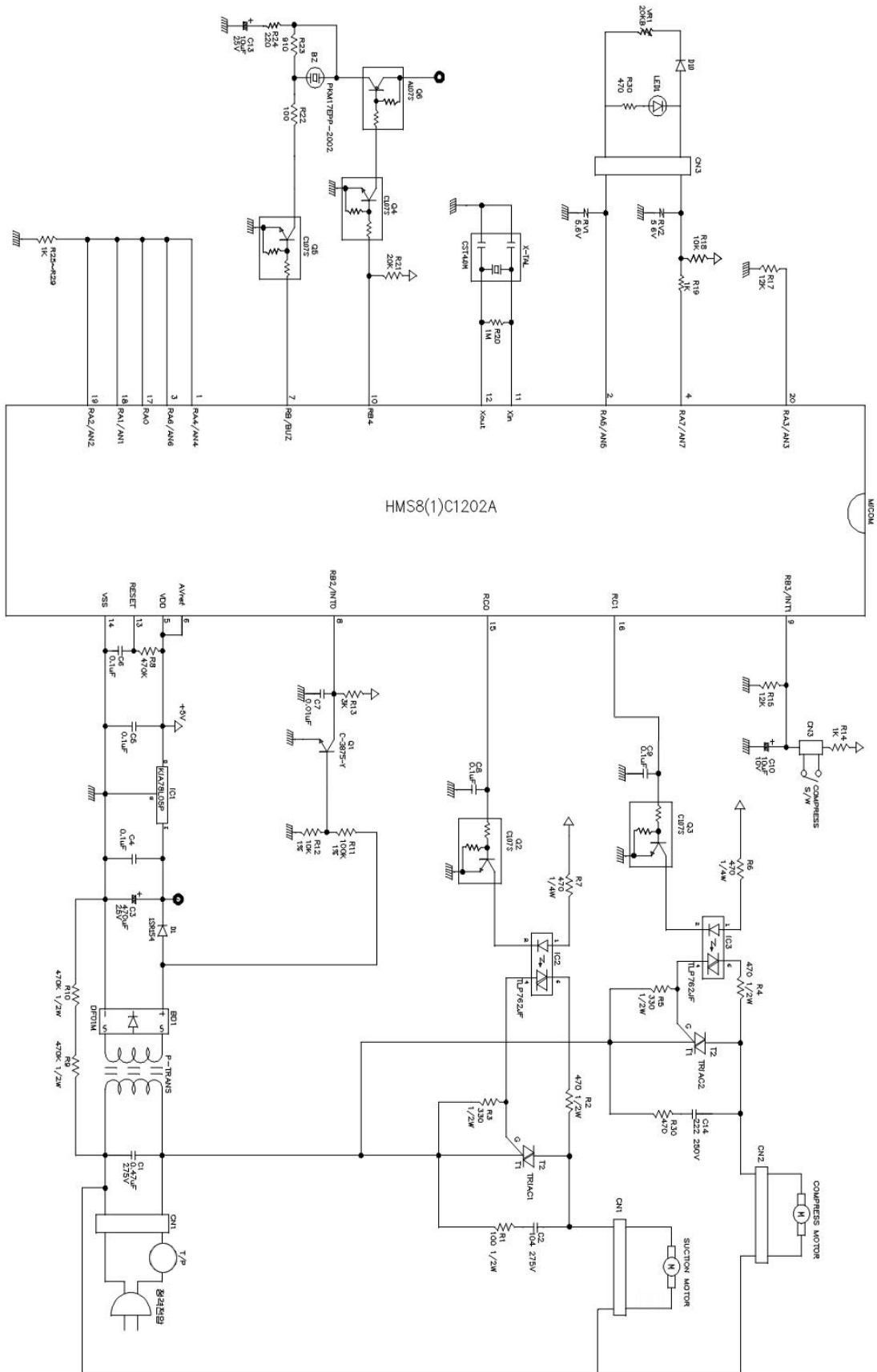
8. IMPROPER TUBE OF NOZZLE CONNECTION



SCHEMATIC DIAGRAM



CIRCUIT DIAGRAM

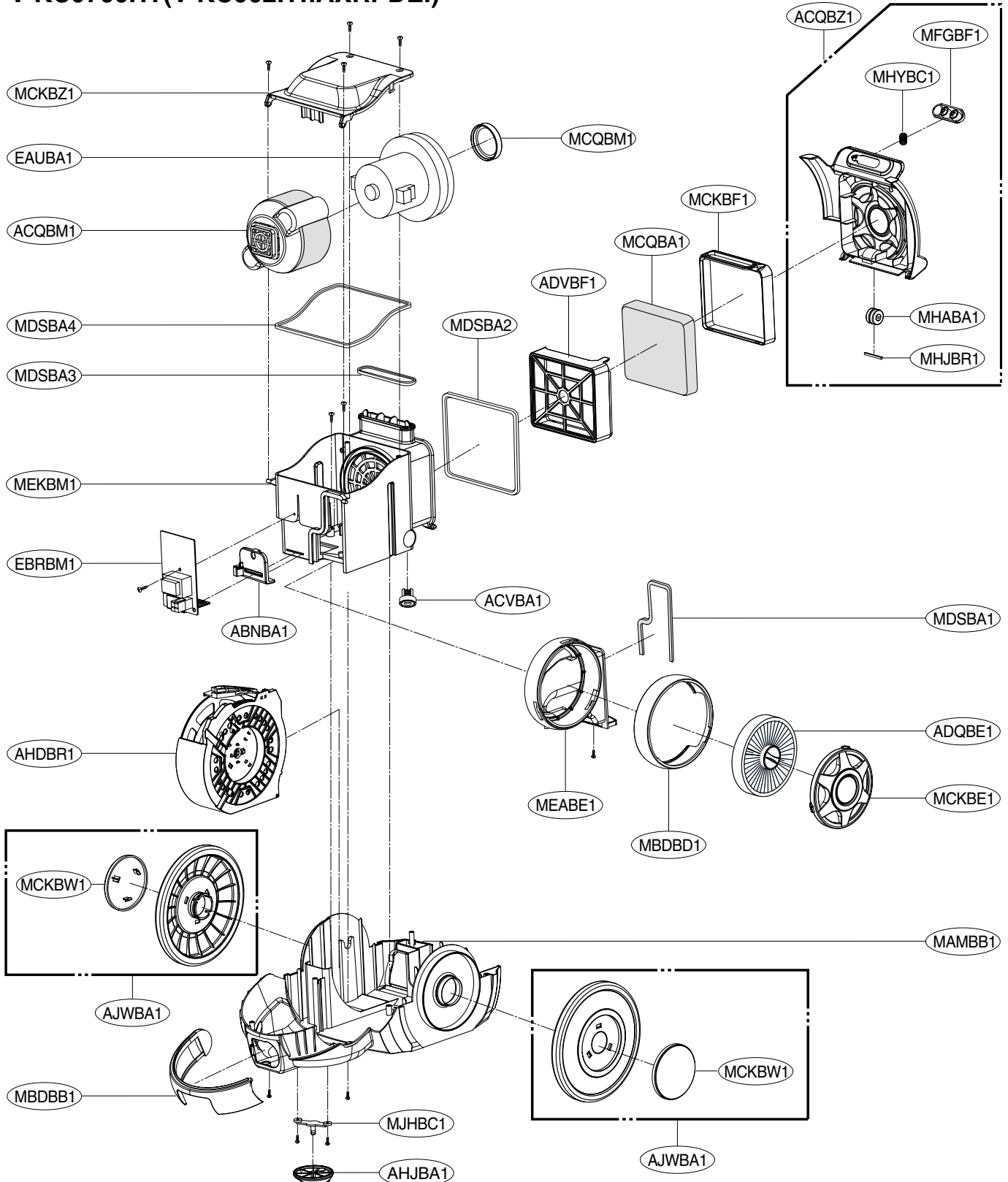


EXPLODED VIEW

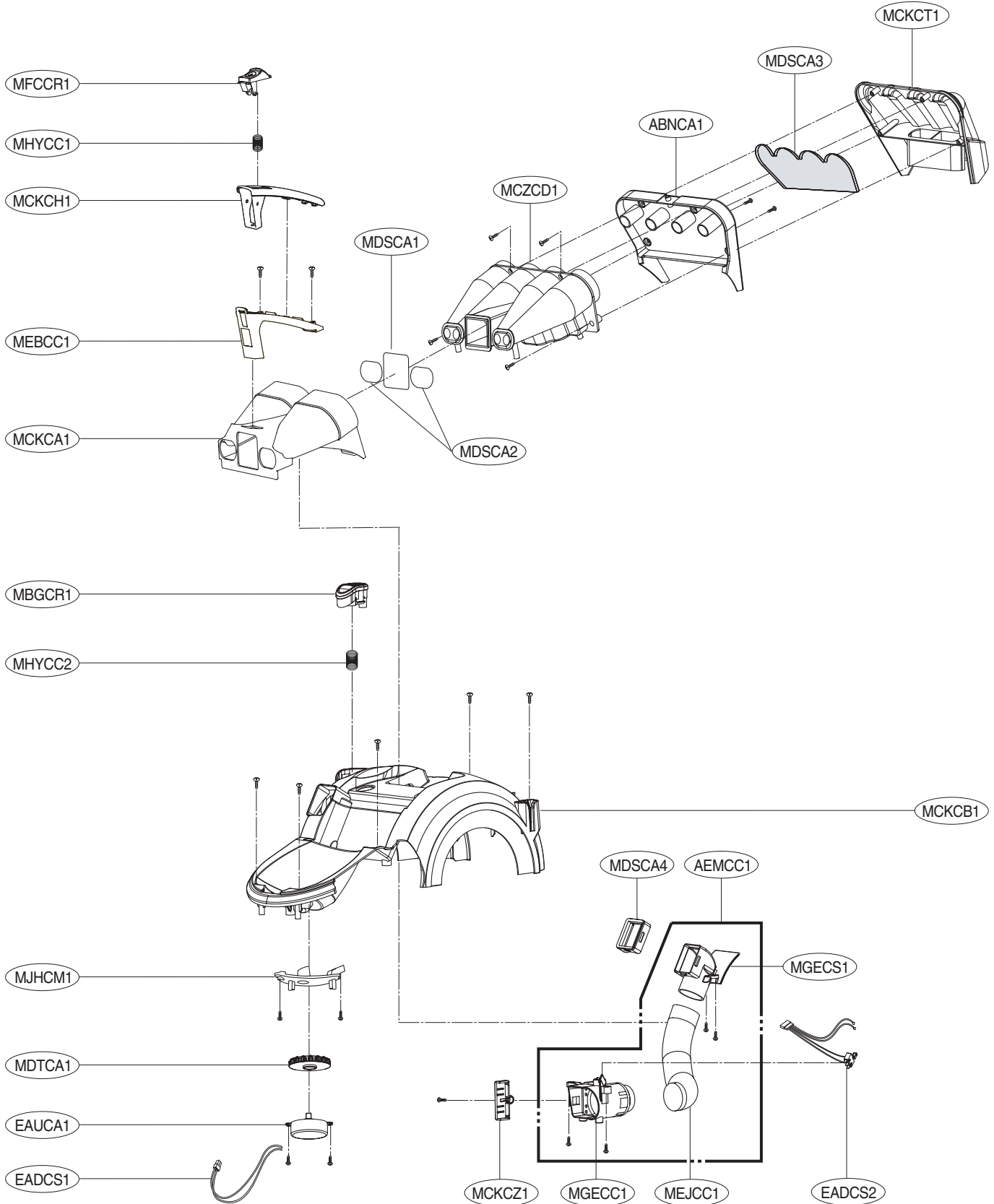
BASE ASSEMBLY, BODY

VK8710H(V-KC902HT.ATVQBWT)
VKC902HT (V-KC902HT.ADTQLGU)
VC9072R(V-KC902HT.AXRQGSF)
V-KC9700HT(V-KC902HT.AXRPDEI)

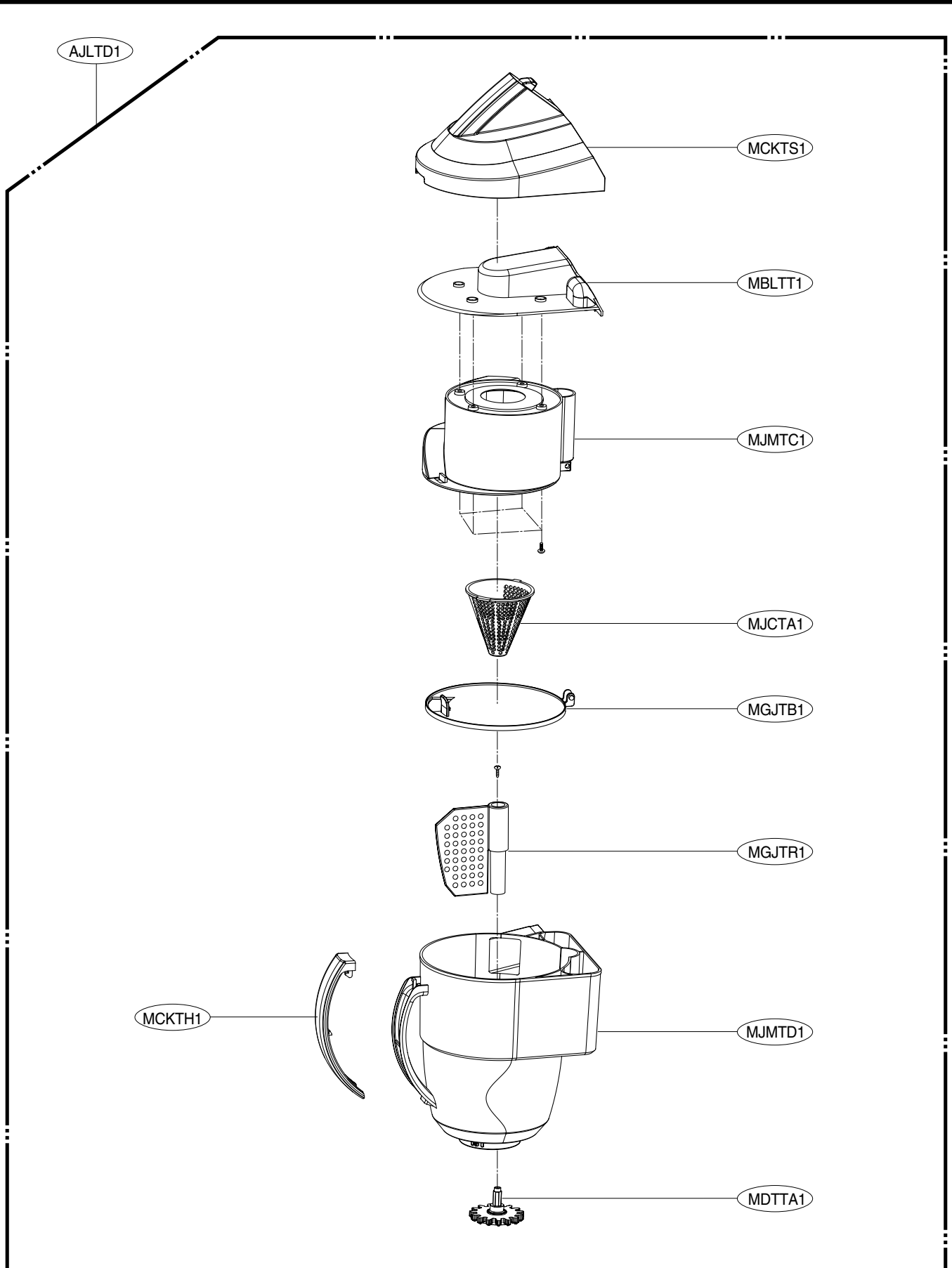
V-KC9700HT(V-KC902HT.ALSPDEI)
V-KC9700HT(V-KC902HT.AVLPDEI)



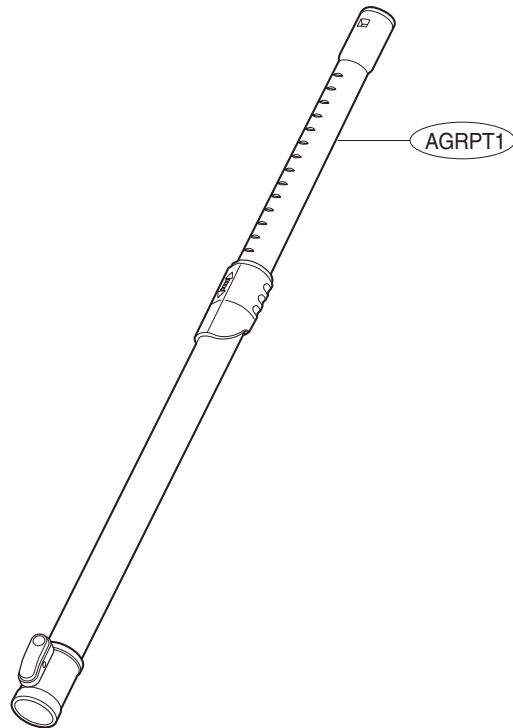
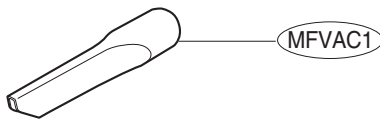
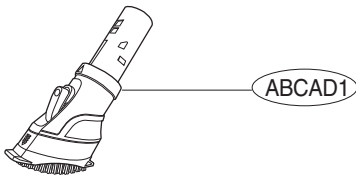
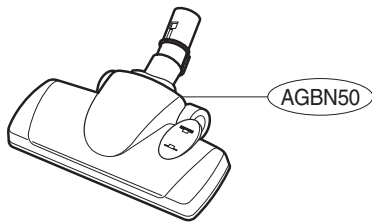
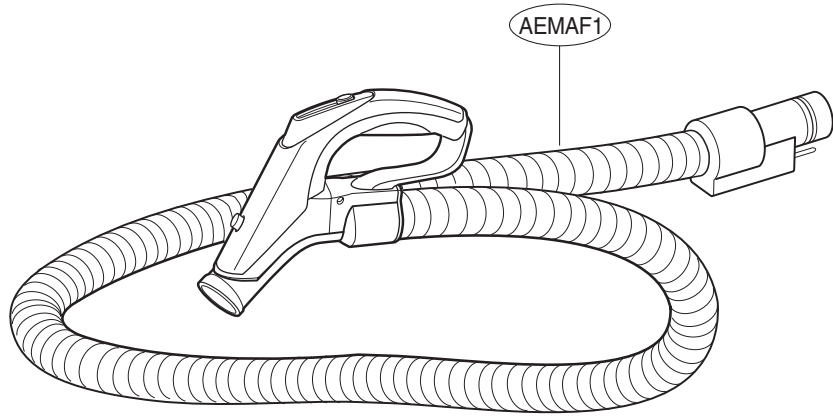
COVER ASSEMBLY, BODY



TANK ASSEMBLY, DUST



ACCESSORIES



REPLACEMENT PARTS LIST

VK8710H(V-KC902HT.ATVQBWT)

LOC. NO.	PART NO.	DESCRIPTION	SVC	COMMENT(REMARK)
*01	MFL37414303	Manual,Owners	R	
*02	MFL37414502	Manual,Service	R	
*10	MAY38051201	Box	R	
ABCAD1	ABC31805901	Brush Assembly,Dust	R	
ABNBA1	ABN31571101	Cap Assembly	R	
ABNCA1	ABN31845102	Cap Assembly	R	
ACQBM1	3551FI3745A	Cover Assembly,Motor	R	
ACQBZ1	ACQ31844804	Cover Assembly,Filter	R	
ACVBA1	4901FI3435Q	Damper Assembly	R	
ADQBE1	5231FI2472F	Filter Assembly,Exhaust	R	
ADVBF1	ADV31845201	Frame Assembly,Filter	R	
AEMAF1	AEM32097801	Hose Assembly,Flexible	R	
AEMCC1	AEM33129902	Hose Assembly,Connector	R	
AGBN50	5249FI1445J	Nozzle Assembly,Floor	R	
AGRPT1	5201FI2493G	Pipe Assembly,Telescopic	R	
AHDBR1	4687FI1494Z	Reel Assembly	R	
AHJBA1	AHJ31688201	Roller Assembly	R	
AJLTD1	AJL31753803	Tank Assembly,Dust	R	
AJWBA1	AJW31561702	Wheel Assembly	R	
EADCS1	6631FI3155H	Harness,Single	R	
EADCS2	6631FI3155J	Harness,Single	R	
EAUBA1	4681FI2467A	Motor Assembly,AC,Vacuum Cleaner	R	
EAUCA1	6549W1S011N	Motor, AC Synchronous	R	
EBRBM1	EBR34226401	PCB Assembly,Main	R	
MAMBB1	MAM34426301	Base,Body	R	
MBDBB1	MBD34450101	Bumper,Body	R	
MBDBD1	MBD34517001	Bumper,Decor	R	
MBGCR1	MBG34446701	Button,Cord Reel	R	
MBLTT1	MBL34847501	Cap,Tank	R	
MCKBE1	MCK34444501	Cover,Exhaust Filter	R	
MCKBF1	MCK38076001	Cover,Filter	R	
MCKBW1	MCK33920602	Cover,Wheel	R	
MCKBZ1	MCK34444401	Cover,Motor Housing	R	
MCKCA1	MCK34455402	Cover,Decor	R	
MCKCB1	MCK34427102	Cover,Body	R	
MCKCH1	MCK34450502	Cover,Handle	R	
MCKCT1	MCK34463102	Cover,Top	R	
MCKCZ1	3550FI3802A	Cover,Terminal	R	
MCKTH1	MCK34449202	Cover,Handle	R	

R : SERVICE PARTS

LOC. NO.	PART NO.	DESCRIPTION	SVC	COMMENT(REMARK)
MCKTS1	MCK34462402	Cover,Dust	R	
MCQBA1	MCQ36414601	Damper,Absorbing	R	
MCQBM1	3920FI4648B	Damper,Motor	R	
MCZCD1	MCZ34502201	Duct,Dust	R	
MDSBA1	MDS35695302	Gasket	R	
MDSBA2	MDS35695001	Gasket	R	
MDSBA3	MDS35695002	Gasket	R	
MDSBA4	MDS35695301	Gasket	R	
MDSCA1	MDS35697101	Gasket	R	
MDSCA2	MDS37853901	Gasket	R	
MDSCA3	MDS37853701	Gasket	R	
MDSCA4	MDS34461001	Gasket	R	
MDTCA1	MDT35353701	Gear	R	
MDTTA1	MDT34469401	Gear	R	
MEABE1	MEA34427501	Guide,Exhaust	R	
MEBCC1	MEB34426802	Handle,Carrier	R	
MEJCC1	5214FI2330C	Hose,Flexible	R	
MEKBM1	MEK34426501	Housing,Motor	R	
MFCCR1	MFC34451801	Lever,Release	R	
MFGBF1	MFG34506401	Locker,Filter	R	
MFVAC1	5058FI3592C	Nozzle,Crevise	R	
MGECC1	MGE34447002	Pipe,Connector	R	
MGECS1	MGE34502102	Pipe,Suction	R	
MGJTB1	MGJ34501902	Plate,Bottom	R	
MGJTR1	MGJ34448901	Plate,Rotation	R	
MHABA1	4I22017F	Roller	R	
MHJBR1	4I22094A	Shaft,Roller	R	
MHYBC1	4970FI4230C	Spring,Coil	R	
MHYCC1	4970FI3217B	Spring,Coil	R	
MHYCC2	4I70024C	Spring,Coil	R	
MJCTA1	MJC33814802	Strainer,Inner	R	
MJHBC1	MJH35353401	Supporter,Caster	R	
MJHCM1	MJH37855501	Supporter,Motor	R	
MJMTC1	MJM34504002	Tank,Cyclone	R	
MJMTD1	MJM34427002	Tank,Dust	R	

R : SERVICE PARTS

REPLACEMENT PARTS LIST

VKC902HT(V-KC902HT.ADTQLGU)

LOC. NO.	PART NO.	DESCRIPTION	SVC	COMMENT(REMARK)
*01	MFL37414301	Manual,Owners	R	
*02	MFL37414502	Manual,Service	R	
*10	MAY38051202	Box	R	
ABCAD1	ABC31805901	Brush Assembly,Dust	R	
ABNBA1	ABN31571101	Cap Assembly	R	
ABNCA1	ABN31845101	Cap Assembly	R	
ACQBM1	3551FI3745A	Cover Assembly,Motor	R	
ACQBZ1	ACQ31844802	Cover Assembly,Filter	R	
ACVBA1	4901FI3435Q	Damper Assembly	R	
ADQBE1	5231FI2472F	Filter Assembly,Exhaust	R	
ADVBF1	ADV31845201	Frame Assembly,Filter	R	
AEMAF1	AEM32097803	Hose Assembly,Flexible	R	
AEMCC1	AEM33129902	Hose Assembly,Connector	R	
AGBN50	5249FI1445J	Nozzle Assembly,Floor	R	
AGRPT1	5201FI2493G	Pipe Assembly,Telescopic	R	
AHDBR1	4687FI1497B	Reel Assembly	R	
AHJBA1	AHJ31688201	Roller Assembly	R	
AJLTD1	AJL31753805	Tank Assembly,Dust	R	
AJWBA1	AJW31561704	Wheel Assembly	R	
EADCS1	6631FI3155H	Harness,Single	R	
EADCS2	6631FI3155J	Harness,Single	R	
EAUBA1	4681FI2467A	Motor Assembly,AC,Vacuum Cleaner	R	
EAUCA1	6549W1S011N	Motor, AC Synchronous	R	
EBRBM1	EBR34226401	PCB Assembly,Main	R	
MAMBB1	MAM34426301	Base,Body	R	
MBDBB1	MBD34450101	Bumper,Body	R	
MBDBD1	MBD34517001	Bumper,Decor	R	
MBGCR1	MBG34446701	Button,Cord Reel	R	
MBLTT1	MBL34847501	Cap,Tank	R	
MCKBE1	MCK34444501	Cover,Exhaust Filter	R	
MCKBF1	MCK38076001	Cover,Filter	R	
MCKBW1	MCK33920603	Cover,Wheel	R	
MCKBZ1	MCK34444401	Cover,Motor Housing	R	
MCKCA1	MCK34455401	Cover,Decor	R	
MCKCB1	MCK34427104	Cover,Body	R	
MCKCH1	MCK34450501	Cover,Handle	R	
MCKCT1	MCK34463101	Cover,Top	R	
MCKCZ1	3550FI3802A	Cover,Terminal	R	
MCKTH1	MCK34449204	Cover,Handle	R	

R : SERVICE PARTS

REPLACEMENT PARTS LIST

VC9072R(V-KC902HT.AXRQGSF)

LOC. NO.	PART NO.	DESCRIPTION	SVC	COMMENT(REMARK)
*01	MFL37414304	Manual,Owners	R	
*02	MFL37414502	Manual,Service	R	
*10	MAY38051201	Box	R	
ABCAD1	ABC31805901	Brush Assembly,Dust	R	
ABNBA1	ABN31571101	Cap Assembly	R	
ABNCA1	ABN31845101	Cap Assembly	R	
ACQBM1	3551FI3745A	Cover Assembly,Motor	R	
ACQBZ1	ACQ31844803	Cover Assembly,Filter	R	
ACVBA1	4901FI3435Q	Damper Assembly	R	
ADQBE1	5231FI2472F	Filter Assembly,Exhaust	R	
ADVBF1	ADV31845201	Frame Assembly,Filter	R	
AEMAF1	AEM32097802	Hose Assembly,Flexible	R	
AEMCC1	AEM33129902	Hose Assembly,Connector	R	
AGBN50	5249FI1445J	Nozzle Assembly,Floor	R	
AGRPT1	5201FI2493G	Pipe Assembly,Telescopic	R	
AHDBR1	4687FI1494Z	Reel Assembly	R	
AHJBA1	AHJ31688201	Roller Assembly	R	
AJLTD1	AJL31753807	Tank Assembly,Dust	R	
AJWBA1	AJW31561704	Wheel Assembly	R	
EADCS1	6631FI3155H	Harness,Single	R	
EADCS2	6631FI3155J	Harness,Single	R	
EAUBA1	4681FI2467A	Motor Assembly,AC,Vacuum Cleaner	R	
EAUCA1	6549W1S011N	Motor, AC Synchronous	R	
EBRBM1	EBR34226401	PCB Assembly,Main	R	
MAMBB1	MAM34426301	Base,Body	R	
MBDBB1	MBD34450101	Bumper,Body	R	
MBDBD1	MBD34517001	Bumper,Decor	R	
MBGCR1	MBG34446701	Button,Cord Reel	R	
MBLTT1	MBL34847501	Cap,Tank	R	
MCKBE1	MCK34444501	Cover,Exhaust Filter	R	
MCKBF1	MCK38076001	Cover,Filter	R	
MCKBW1	MCK33920603	Cover,Wheel	R	
MCKBZ1	MCK34444401	Cover,Motor Housing	R	
MCKCA1	MCK34455401	Cover,Decor	R	
MCKCB1	MCK34427103	Cover,Body	R	
MCKCH1	MCK34450501	Cover,Handle	R	
MCKCT1	MCK34463101	Cover,Top	R	
MCKCZ1	3550FI3802A	Cover,Terminal	R	
MCKTH1	MCK34449204	Cover,Handle	R	

R : SERVICE PARTS

LOC. NO.	PART NO.	DESCRIPTION	SVC	COMMENT(REMARK)
MCKTS1	MCK34462404	Cover,Dust	R	
MCQBA1	MCQ36414601	Damper,Absorbing	R	
MCQBM1	3920FI4648B	Damper,Motor	R	
MCZCD1	MCZ34502201	Duct,Dust	R	
MDSBA1	MDS35695302	Gasket	R	
MDSBA2	MDS35695001	Gasket	R	
MDSBA3	MDS35695002	Gasket	R	
MDSBA4	MDS35695301	Gasket	R	
MDSCA1	MDS35697101	Gasket	R	
MDSCA2	MDS37853901	Gasket	R	
MDSCA3	MDS37853701	Gasket	R	
MDSCA4	MDS34461001	Gasket	R	
MDTCA1	MDT35353701	Gear	R	
MDTTA1	MDT34469401	Gear	R	
MEABE1	MEA34427501	Guide,Exhaust	R	
MEBCC1	MEB34426801	Handle,Carrier	R	
MEJCC1	5214FI2330C	Hose,Flexible	R	
MEKBM1	MEK34426501	Housing,Motor	R	
MFCCR1	MFC34451801	Lever,Release	R	
MFGBF1	MFG34506401	Locker,Filter	R	
MFVAC1	5058FI3592C	Nozzle,Crevise	R	
MGECC1	MGE34447002	Pipe,Connector	R	
MGECS1	MGE34502102	Pipe,Suction	R	
MGJTB1	MGJ34501904	Plate,Bottom	R	
MGJTR1	MGJ34448901	Plate,Rotation	R	
MHABA1	4I22017F	Roller	R	
MHJBR1	4I22094A	Shaft,Roller	R	
MHYBC1	4970FI4230C	Spring,Coil	R	
MHYCC1	4970FI3217B	Spring,Coil	R	
MHYCC2	4I70024C	Spring,Coil	R	
MJCTA1	MJC33814802	Strainer,Inner	R	
MJHBC1	MJH35353401	Supporter,Caster	R	
MJHCM1	MJH37855501	Supporter,Motor	R	
MJMTC1	MJM34504004	Tank,Cyclone	R	
MJMTD1	MJM34427004	Tank,Dust	R	

R : SERVICE PARTS

REPLACEMENT PARTS LIST

V-KC9700HT(V-KC902HT.AXRPDEI)

LOC. NO.	PART NO.	DESCRIPTION	SVC	COMMENT(REMARK)
*01	MFL37414302	Manual,Owners	R	
*02	MFL37414502	Manual,Service	R	
*10	MAY38683603	Box	R	
ABCAD1	ABC31805901	Brush Assembly,Dust	R	
ABNBA1	MBL33954401	Cap,Sensor	R	
ABNCA1	ABN31845102	Cap Assembly	R	
ACQBM1	3551FI3745A	Cover Assembly,Motor	R	
ACQBZ1	ACQ31844803	Cover Assembly,Filter	R	
ACVBA1	4901FI3435Q	Damper Assembly	R	
ADQBE1	5231FI2472F	Filter Assembly,Exhaust	R	
ADVBF1	ADV31845201	Frame Assembly,Filter	R	
AEMAF1	AEM32097802	Hose Assembly,Flexible	R	
AEMCC1	AEM33129902	Hose Assembly,Connector	R	
AGBN50	5249FI1445J	Nozzle Assembly,Floor	R	
AGRPT1	5201FI2493G	Pipe Assembly,Telescopic	R	
AHDBR1	4687FI1494Z	Reel Assembly	R	
AHJBA1	AHJ31688201	Roller Assembly	R	
AJLTD1	AJL31753802	Tank Assembly,Dust	R	
AJWBA1	AJW31561701	Wheel Assembly	R	
EADCS1	6631FI3155H	Harness,Single	R	
EADCS2	6631FI3155J	Harness,Single	R	
EAUBA1	4681FI2467A	Motor Assembly,AC,Vacuum Cleaner	R	
EAUCA1	6549W1S011N	Motor, AC Synchronous	R	
EBRBM1	EBR34226401	PCB Assembly,Main	R	
MAMBB1	MAM34426301	Base,Body	R	
MBDBB1	MBD34450101	Bumper,Body	R	
MBDBD1	MBD34517001	Bumper,Decor	R	
MBGCR1	MBG34446701	Button,Cord Reel	R	
MBLTT1	MBL34847501	Cap,Tank	R	
MCKBE1	MCK34444501	Cover,Exhaust Filter	R	
MCKBF1	MCK38076001	Cover,Filter	R	
MCKBW1	MCK33920601	Cover,Wheel	R	
MCKBZ1	MCK34444401	Cover,Motor Housing	R	
MCKCA1	MCK34455404	Cover,Decor	R	
MCKCB1	MCK34427103	Cover,Body	R	
MCKCH1	MCK34450502	Cover,Handle	R	
MCKCT1	MCK34463102	Cover,Top	R	
MCKCZ1	3550FI3802A	Cover,Terminal	R	
MCKTH1	MCK34449202	Cover,Handle	R	

R : SERVICE PARTS

LOC. NO.	PART NO.	DESCRIPTION	SVC	COMMENT(REMARK)
MCKTS1	MCK34462402	Cover,Dust	R	
MCQBA1	MCQ36414601	Damper,Absorbing	R	
MCQBM1	3920FI4648B	Damper,Motor	R	
MCZCD1	MCZ34502201	Duct,Dust	R	
MDSBA1	MDS35695302	Gasket	R	
MDSBA2	MDS35695001	Gasket	R	
MDSBA3	MDS35695002	Gasket	R	
MDSBA4	MDS35695301	Gasket	R	
MDSCA1	MDS35697101	Gasket	R	
MDSCA2	MDS37853901	Gasket	R	
MDSCA3	MDS37853701	Gasket	R	
MDSCA4	MDS34461001	Gasket	R	
MDTCA1	MDT35353701	Gear	R	
MDTTA1	MDT34469401	Gear	R	
MEABE1	MEA34427501	Guide,Exhaust	R	
MEBCC1	MEB34426802	Handle,Carrier	R	
MEJCC1	5214FI2330C	Hose,Flexible	R	
MEKBM1	MEK34426501	Housing,Motor	R	
MFCCR1	MFC34451801	Lever,Release	R	
MFGBF1	MFG34506401	Locker,Filter	R	
MFVAC1	5058FI3592C	Nozzle,Crevise	R	
MGECC1	MGE34447002	Pipe,Connector	R	
MGECS1	MGE34502102	Pipe,Suction	R	
MGJTB1	MGJ34501904	Plate,Bottom	R	
MGJTR1	MGJ34448901	Plate,Rotation	R	
MHABA1	4I22017F	Roller	R	
MHJBR1	4I22094A	Shaft,Roller	R	
MHYBC1	4970FI4230C	Spring,Coil	R	
MHYCC1	4970FI3217B	Spring,Coil	R	
MHYCC2	4I70024C	Spring,Coil	R	
MJCTA1	MJC33814802	Strainer,Inner	R	
MJHBC1	MJH35353401	Supporter,Caster	R	
MJHCM1	MJH37855501	Supporter,Motor	R	
MJMTC1	MJM34504004	Tank,Cyclone	R	
MJM TD1	MJM34427004	Tank,Dust	R	

R : SERVICE PARTS

REPLACEMENT PARTS LIST

V-KC9700HT(V-KC902HT.ALSPDEI)

LOC. NO.	PART NO.	DESCRIPTION	SVC	COMMENT(REMARK)
*01	MFL37414302	Manual,Owners	R	
*02	MFL37414502	Manual,Service	R	
*10	MAY38683603	Box	R	
ABCAD1	ABC31805903	Brush Assembly,Dust	R	
ABNBA1	ABN31571101	Cap Assembly	R	
ABNCA1	ABN31845102	Cap Assembly	R	
ACQBM1	3551FI3745A	Cover Assembly,Motor	R	
ACQBZ1	ACQ31844809	Cover Assembly,Filter	R	
ACVBA1	4901FI3435Q	Damper Assembly	R	
ADQBE1	5231FI2472F	Filter Assembly,Exhaust	R	
ADVBF1	ADV31845201	Frame Assembly,Filter	R	
AEMAF1	AEM32097817	Hose Assembly,Flexible	R	
AEMCC1	AEM33129901	Hose Assembly,Connector	R	
AGBN50	5249FI1445K	Nozzle Assembly,Floor	R	
AGRPT1	5201FI2493J	Pipe Assembly,Telescopic	R	
AHDBR1	4687FI1494Z	Reel Assembly	R	
AHJBA1	AHJ31688203	Roller Assembly	R	
AJLTD1	AJL31753802	Tank Assembly,Dust	R	
AJWBA1	AJW31561707	Wheel Assembly	R	
EADCS1	6631FI3155Q	Harness,Single	R	
EADCS2	6631FI3155J	Harness,Single	R	
EAUBA1	4681FI2467A	Motor Assembly,AC,Vacuum Cleaner	R	
EAUCA1	6549W1S011N	Motor, AC Synchronous	R	
EBRBM1	EBR34226401	PCB Assembly,Main	R	
MAMBB1	MAM34426303	Base,Body	R	
MBDBB1	MBD34450103	Bumper,Body	R	
MBDBD1	MBD34517003	Bumper,Decor	R	
MBGCR1	MBG34446701	Button,Cord Reel	R	
MBLTT1	MBL34847501	Cap,Tank	R	
MCKBE1	MCK34444501	Cover,Exhaust Filter	R	
MCKBF1	MCK38076001	Cover,Filter	R	
MCKBW1	MCK33920601	Cover,Wheel	R	
MCKBZ1	MCK34444401	Cover,Motor Housing	R	
MCKCA1	MCK34455404	Cover,Decor	R	
MCKCB1	MCK34427109	Cover,Body	R	
MCKCH1	MCK34450502	Cover,Handle	R	
MCKCT1	MCK34463102	Cover,Top	R	
MCKCZ1	3550FI3802A	Cover,Terminal	R	
MCKTH1	MCK34449202	Cover,Handle	R	

R : SERVICE PARTS

LOC. NO.	PART NO.	DESCRIPTION	SVC	COMMENT(REMARK)
MCKTS1	MCK34462402	Cover,Dust	R	
MCQBA1	MCQ36414601	Damper,Absorbing	R	
MCQBM1	3920FI4648B	Damper,Motor	R	
MCZCD1	MCZ34502201	Duct,Dust	R	
MDSBA1	MDS35695302	Gasket	R	
MDSBA2	MDS35695001	Gasket	R	
MDSBA3	MDS35695002	Gasket	R	
MDSBA4	MDS35695301	Gasket	R	
MDSCA1	MDS35697101	Gasket	R	
MDSCA2	MDS37853901	Gasket	R	
MDSCA3	MDS37853701	Gasket	R	
MDSCA4	MDS34461001	Gasket	R	
MDTCA1	MDT35353701	Gear	R	
MDTTA1	MDT34469401	Gear	R	
MEABE1	MEA34427503	Guide,Exhaust	R	
MEBCC1	MEB34426802	Handle,Carrier	R	
MEJCC1	5214FI2330C	Hose,Flexible	R	
MEKBM1	MEK34426501	Housing,Motor	R	
MFCCR1	MFC34451801	Lever,Release	R	
MFGBF1	MFG34506401	Locker,Filter	R	
MFVAC1	5058FI3592D	Nozzle,Crevise	R	
MGECC1	MGE34447001	Pipe,Connector	R	
MGECS1	MGE34502101	Pipe,Suction	R	
MGJTB1	MGJ34501902	Plate,Bottom	R	
MGJTR1	MGJ34448901	Plate,Rotation	R	
MHABA1	4I22017F	Roller	R	
MHJBR1	4I22094A	Shaft,Roller	R	
MHYBC1	4970FI4230C	Spring,Coil	R	
MHYCC1	4970FI3217B	Spring,Coil	R	
MHYCC2	4I70024C	Spring,Coil	R	
MJCTA1	MJC33814802	Strainer,Inner	R	
MJHBC1	MJH35353401	Supporter,Caster	R	
MJHCM1	MJH37855501	Supporter,Motor	R	
MJMTC1	MJM34504002	Tank,Cyclone	R	
MJMTC1	MJM34504002	Tank,Cyclone	R	
MJMTC1	MJM34504002	Tank,Cyclone	R	
MJMTD1	MJM34427002	Tank,Dust	R	

R : SERVICE PARTS

REPLACEMENT PARTS LIST

V-KC9700HT(V-KC902HT.AVLPDEI)

LOC. NO.	PART NO.	DESCRIPTION	SVC	COMMENT(REMARK)
*01	MFL37414302	Manual,Owners	R	
*02	MFL37414502	Manual,Service	R	
*10	MAY38683603	Box	R	
ABCAD1	ABC31805901	Brush Assembly,Dust	R	
ABNBA1	ABN31571101	Cap Assembly	R	
ABNCA1	ABN31845102	Cap Assembly	R	
ACQBM1	3551FI3745A	Cover Assembly,Motor	R	
ACQBZ1	ACQ31844810	Cover Assembly,Filter	R	
ACVBA1	4901FI3435Q	Damper Assembly	R	
ADQBE1	5231FI2472F	Filter Assembly,Exhaust	R	
ADVBF1	ADV31845201	Frame Assembly,Filter	R	
AEMAF1	AEM32097818	Hose Assembly,Flexible	R	
AEMCC1	AEM33129902	Hose Assembly,Connector	R	
AGBN50	5249FI1445J	Nozzle Assembly,Floor	R	
AGRPT1	5201FI2493G	Pipe Assembly,Telescopic	R	
AHDBR1	4687FI1494Z	Reel Assembly	R	
AHJBA1	AHJ31688201	Roller Assembly	R	
AJLTD1	AJL31753802	Tank Assembly,Dust	R	
AJWBA1	AJW31561701	Wheel Assembly	R	
EADCS1	6631FI3155Q	Harness,Single	R	
EADCS2	6631FI3155J	Harness,Single	R	
EAUBA1	4681FI2467A	Motor Assembly,AC,Vacuum Cleaner	R	
EAUCA1	6549W1S011N	Motor, AC Synchronous	R	
EBRBM1	EBR34226401	PCB Assembly,Main	R	
MAMBB1	MAM34426301	Base,Body	R	
MBDBB1	MBD34450101	Bumper,Body	R	
MBDBD1	MBD34517001	Bumper,Decor	R	
MBGCR1	MBG34446701	Button,Cord Reel	R	
MBLTT1	MBL34847501	Cap,Tank	R	
MCKBE1	MCK34444501	Cover,Exhaust Filter	R	
MCKBF1	MCK38076001	Cover,Filter	R	
MCKBW1	MCK33920601	Cover,Wheel	R	
MCKBZ1	MCK34444401	Cover,Motor Housing	R	
MCKCA1	MCK34455404	Cover,Decor	R	
MCKCB1	MCK34427110	Cover,Body	R	
MCKCH1	MCK34450502	Cover,Handle	R	
MCKCT1	MCK34463102	Cover,Top	R	
MCKCZ1	3550FI3802A	Cover,Terminal	R	
MCKTH1	MCK34449202	Cover,Handle	R	

R : SERVICE PARTS

